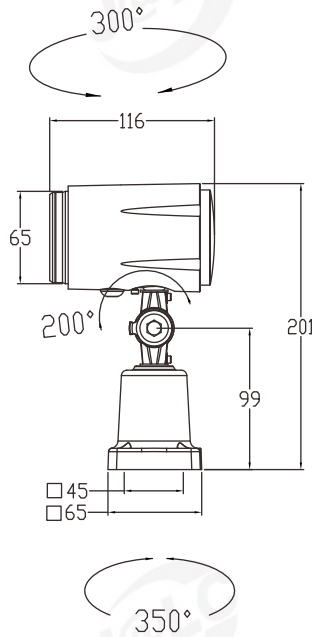




ONN-M1S - B 1 - 9.5W - S
 Code 2 Color temperatu 4 Switch
 Order guide 1 Voltage 3 Power
 Please refer to the series code to select the type and parameters for ordering.

Code	Brand	Type
ONN-M1S	ONION	LED machine tool light

- Applicable models: High light machine, precision carving machine, spark machine, CNC, centerless grinder, spring machine, CNC machine tools, CNC milling machine and other larger processing machine lighting.
- Features:
 - Base screw fixing, 200 degrees adjustment, short arm joint flexible adjustment of the light angle so that the light as you wish.
 - Waterproof rubber ring, tempered glass waterproof, oil-proof, corrosion-proof and explosion-proof function perfectly integrated.



LED Illumination Light

Order guide

Voltage ①	Color temperature ②	Power ③	Switch ④
B: AC/DC24V C: AC100-265V 50/60Hz	1: 6000-6500K 2: 4000-4500K 3: 2800-3200K	9.5W	S: With switch No: Without switch

Parameter chart

Luminous flux	810lm
Luminous efficiency	90lm/W
Color rendering index	>82
Luminous angle	30°
Protection grade	IP65
Working temperature	-20~ 45°C
LED life	50,000H
Lamp body color	Black+silver
Material	Lamp body: Aluminum alloy PC lens: PC Cover: Tempered glass Base: Nylon fiberglass
Assembly	Screw fixing