



A **YA** **D** - **1**
 (Major category) (Series)
 (Category) **1** SPEC

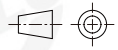
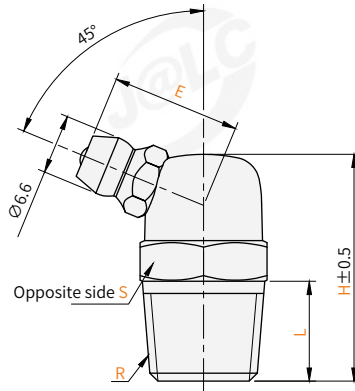
Order guide

Please refer to the series code to select the type and parameters for ordering.



45° nozzle

Code	Type	Material	Surface treatment
AYAC	45° nozzle	Brass	Nickel plating

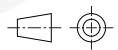
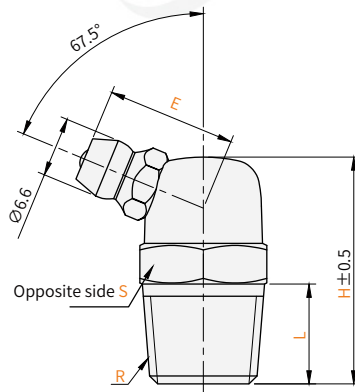


Visual standards:
first perspective

Model		R	H	L	E	S
Code	SPEC 1					
AYAC	8	M8×1.0	16.7	6.15	8.8	9.72
	10	M10×1.0	20	7.3	12	10

67.5° nozzle

Code	Type	Material	Surface treatment
AYAD	67.5° nozzle	Brass	Nickel plating



Visual standards:
first perspective

Model		R	H	L	E	S
Code	SPEC 1					
AYAD	1	R1/8	19	7.5	12.5	10
	2	R1/4	22.5	8.8	14.2	14
	6	M6×0.75	16	6.5	10	8
	6A	M6×1.0				

Nozzle