

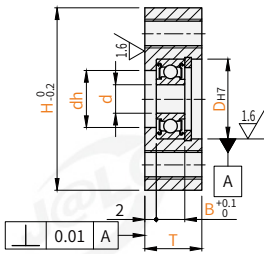
B HC V - E1 - B - 623 - ZZ - NL  
 Major category    Series    **2** Retaining ring    **4** Sealing ring    **5** Optional processing  
 Order guide    Category    **1** Surface treatment    **3** Bearing model

⊙ Please refer to the series code to select the type and parameters for ordering.

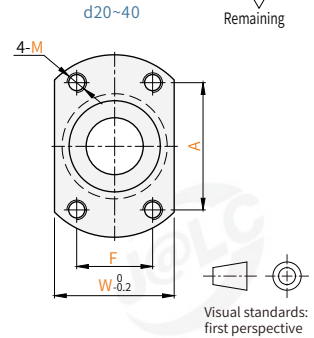
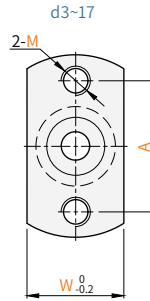
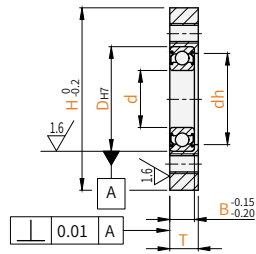
Code	Retaining ring <b>2</b>	Material			Surface treatment <b>1</b>
		Bearing	Bearing housing	Retaining ring	Bearing housing
BHCV-E1-B	With retaining ring	Bearing steel	S45C	Spring steel	Blackening
BHCV-N1-B				SUS304	Electroless nickel plating
BHCV-W-B		Stainless steel	SUS304		—
BHCV-E1-D	No retaining ring	Bearing steel	S45C	—	Blackening
BHCV-N1-D					Electroless nickel plating
BHCV-W-D		Stainless steel	SUS304		—

⊙ Bearing accuracy: GB/T 307.1 Grade 0  
Equivalent to: JIS B 1514 Grade 0

With retaining ring  
BHCV-E1/N1/W-B



No retaining ring  
BHCV-E1/N1/W-D



Code	Model		d	DH7	B	H	W	T		dh	A	F	M (Coarse thread)			
	Bearing model <b>3</b>	Sealing ring <b>4</b>						With retaining ring	No retaining ring							
With retaining ring	BHCV-E1-B	623	3	10	+0.0150/0	4	25	13	9	6	7	18	M4			
	BHCV-N1-B	624	4	13		5	28	15			9	21				
	BHCV-W-B	605	5	14	+0.0180/0	5	32	17	10	7	10	23				
	No retaining ring	BHCV-E1-D	625	5	16		5	34	19			12	25	M5		
		BHCV-N1-D	606	6	17		6	35	20			13	26			
		BHCV-W-D	626	6	19		6	37	22	11	8	15	28			
		Optional processing	BHCV-E1-B	608	8	22		7	40	26	12	9	18	31	M6	
			BHCV-N1-B	628	8	24		8	42	29	13	10	20	33		
			BHCV-W-B	6900	10	22	+0.0210/0	6	40	26	11	8	19	31		
			Optional processing	BHCV-E1-D	6000	10	26		8	44	31	13	10	22	35	M8
				BHCV-N1-D	6200	10	30		9	48	35	14	11	24	39	
				BHCV-W-D	6901	12	24		6	42	28	11	8	21	33	
Optional processing				BHCV-E1-B	6001	12	28		8	46	33	13	10	24	37	M10
				BHCV-N1-B	6201	12	32	+0.0250/0	10	50	37	15	12	26	41	
				BHCV-W-B	6902	15	28	+0.0210/0	7	49	34	12	9	25	39	
	Optional processing			BHCV-E1-D	6002	15	32	+0.0250/0	9	53	37	14	11	28	43	M10
				BHCV-N1-D	6202	15	35		11	56	41	17	13	29	46	
				BHCV-W-D	6903	17	30	+0.0210/0	7	51	35	12	9	27	41	
		Optional processing		BHCV-E1-D	6003	17	35		10	56	41	16	12	31	46	M10
				BHCV-N1-D	6203	17	40		12	61	47	18	14	34	51	
				BHCV-W-D	6904	20	37	+0.0250/0	9	64	44	15	11	34	45	
			Optional processing	BHCV-E1-D	6004	20	42		12	69	51	18	14	36	46	M10
				BHCV-N1-D	6204	20	47		14	74	55	20	16	40	50	
				BHCV-W-D	6005	25	47		12	80	55	18	14	41	52	
Optional processing				BHCV-E1-D	6205	25	52		15	85	61	22	17	45	56	M10
				BHCV-N1-D	6006	30	55		13	88	63	20	15	48	59	
				BHCV-W-D	6206	30	62	+0.030/0	16	95	71	23	18	55	65	
	Optional processing			BHCV-E1-D	6007	35	62		14	95	71	21	16		44	M10
				BHCV-N1-D	6008	40	68		15	101	79	23	17	60	54	
				BHCV-W-D												

⊙ With \*V (non-contact rubber seal) does not apply to bearings of models 623, 624, 605, and 606.  
 ⊙ V (non-contact rubber seal), DD (contact rubber seal), bearing material is bearing steel.

Optional processing

Code <b>5</b>	NL
Optional processing	No assembly of bearings, retaining rings
Technical description	No bearing and retaining ring assembly (shipped with)

Mounted Bearing