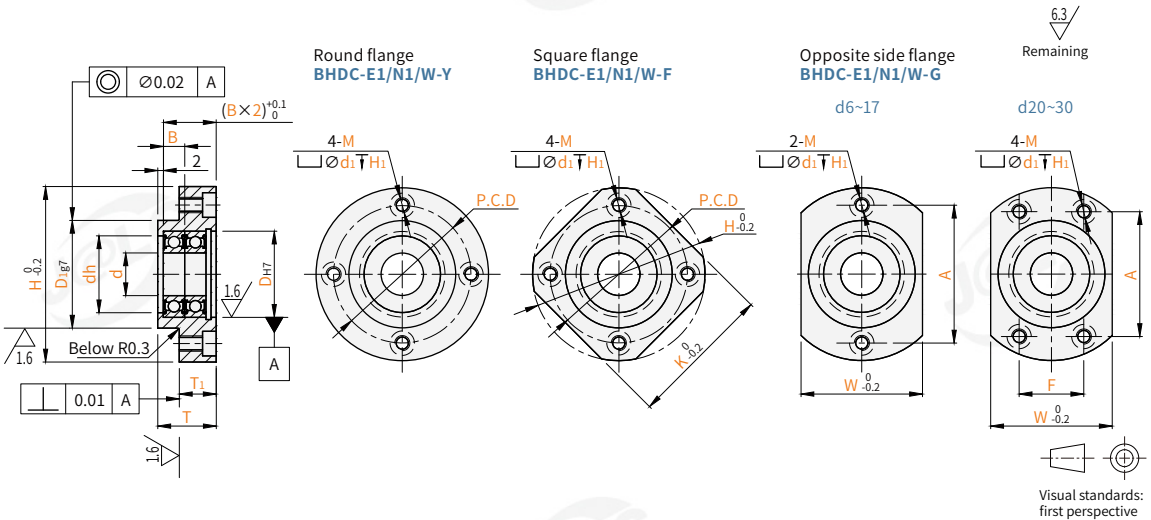


B HD C - E1 - Y - 606 - ZZ - NL  
 Order guide    Major category    Series    1 Surface treatment    2 Type    3 Bearing model    4 Sealing ring    5 Optional processing  
 Please refer to the series code to select the type and parameters for ordering.

Code	Type <sup>2</sup>	Material			Surface treatment <sup>1</sup>
		Bearing	Bearing housing	Retaining ring	Bearing housing
BHDC-E1-Y	Round flange	Bearing steel	S45C	Spring steel	Blackening
BHDC-N1-Y				SUS304	Electroless nickel plating
BHDC-W-Y		Stainless steel	SUS304	—	—
BHDC-E1-F	Square flange	Bearing steel	S45C	Spring steel	Blackening
BHDC-N1-F				SUS304	Electroless nickel plating
BHDC-W-F		Stainless steel	SUS304	—	—
BHDC-E1-G	Opposite side flange	Bearing steel	S45C	Spring steel	Blackening
BHDC-N1-G				SUS304	Electroless nickel plating
BHDC-W-G		Stainless steel	SUS304	—	—

Bearing accuracy: GB/T 307.1 Grade 0  
 Equivalent to: JIS B 1514 Grade 0



Mounted Bearing

Model		d	Dh7	B	H	W	T	T <sub>1</sub>	dh	D <sub>1g7</sub>	P.C.D	K	A	F	M (Coarse thread)	d <sub>1</sub>	H <sub>1</sub>		
Round flange BHDC-E1-Y BHDC-N1-Y BHDC-W-Y	606	6	17	<sup>+0.018</sup> <sub>0</sub>	6	39	23	17	9	13	21		29	32	29				
	608	8	22		7	45	29	19	12	18	27	<sup>-0.007</sup> <sub>-0.028</sub>	35	36	35				
	6900	10	26	<sup>+0.021</sup> <sub>0</sub>	8	50	34	21	13	22	32	<sup>-0.009</sup> <sub>-0.034</sub>	40	39	40	M5	8	4.4	
	6000															—	—	—	
Square flange BHDC-E1-F BHDC-N1-F BHDC-W-F	6901	12	24		8	48	31	17	11	21	30	<sup>-0.007</sup> <sub>-0.028</sub>	38	38	38	—	—	—	
	6001															—	—	—	
	6902	28	7	57	37	19	12	25	35	45	45	45	—	—	—	—	—		
Opposite side flange BHDC-E1-G BHDC-N1-G BHDC-W-G	6002	15	32	<sup>+0.025</sup> <sub>0</sub>	9	60	40	23	14	28	38		48	46	48	M6	9.5	5.4	
	6903															—	—	—	
	6003	17	35	<sup>+0.021</sup> <sub>0</sub>	7	66	44	26	16	31	42		54	50	54	—	—	—	
	6904															—	—	—	
	6004	20	42	<sup>+0.025</sup> <sub>0</sub>	9	69	47	24	15	34	45		56	54	51	24	M8	11	6.5
	6005																—	—	—
6006	25	47		12	77	54	30	18	36	50		64	59	56	32	M8	11	6.5	
	30	55	<sup>+0.030</sup> <sub>0</sub>	13	96	66	33	20	48	62		<sup>-0.010</sup> <sub>-0.040</sub>	72	67	63	36	M10	14	8.6

- With \*VV (non-contact rubber seal) is not applicable to bearing type 606.
- VV (non-contact rubber seal), DD (contact rubber seal), bearing material is bearing steel.

Optional processing

Code	NL
Optional processing	No assembly of bearings, retaining rings
Technical description	No bearing and retaining ring assembly (shipped with)