

Order guide

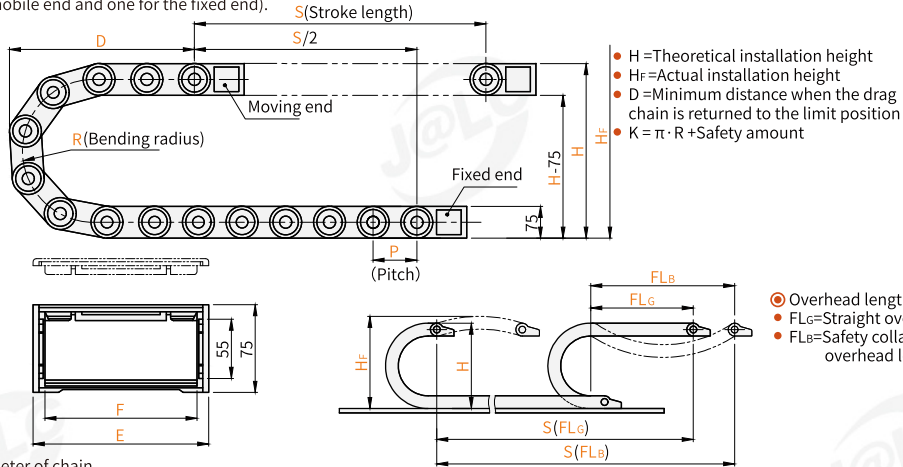
B Major category
 KL Category
 W - Q Series
 2 Inner width
 F50 R100 N10 BKTW
 1 Crossbeam
 3 Bending radius
 4 Number of chain links
 5 Joint

⊙ Please refer to the series code to select the type and parameters for ordering.

⊙ Drag chain

Code	Type	Feature	Inside height	Cross-beam	Cable placement form	Number of Cavities	Material	Color	Allowable temperature	Flame retardant grade	Accessory
BKLW-Q	General use	Reinforced type	25	Bridge Fully enclosed	Inner and outer diameter open	Single cavity	Engineering plastic	Black	-20°C~80°C	UL94-V0	Joint
BKLW-B											

⊙ This series of drag chains includes a set of connectors (one for the mobile end and one for the fixed end). ⊙ The series of drag chains do not include shims, which should be purchased separately.



⊙ 22 links per meter of chain.

Code	Model	Inner width F	Bending radius R	Number of links N	Joint	Installation size			Outer width E	Pitch P	Max. cable diameter	Max. overhead length(m)	Max. allowable travel(m)	Max. permissible vertical suspension(m)
						H	D	K						
BKLW-Q	50	100	100	1	BKTW	275	230	600	325	81				
			150			375	280	750	425					
			200			475	330	910	525					
	75	100	100	275	230	600	325	106						
			150	375	280	750	425							
			200	475	330	910	525							
	100	100	100	275	230	600	325	131						
			150	375	280	750	425							
			200	475	330	910	525							
	125	100	100	275	230	600	325	156						
			150	375	280	750	425							
			200	475	330	910	525							
	130	100	100	275	230	600	325	161						
			150	375	280	750	425							
			200	475	330	910	525							
	150	100	100	275	230	600	325	181						
			150	375	280	750	425							
			200	475	330	910	525							
	175	100	100	275	230	600	325	206						
			150	375	280	750	425							
			200	475	330	910	525							
	200	100	100	275	230	600	325	231						
			150	375	280	750	425							
			200	475	330	910	525							
250	100	100	275	230	600	325	281							
		150	375	280	750	425								
		200	475	330	910	525								
BKLW-B	50	100	100	1	BKTW	275	230	600	325	81				
			150			375	280	750	425					
			200			475	330	910	525					
	75	100	100	275	230	600	325	106						
			150	375	280	750	425							
			200	475	330	910	525							
	100	100	100	275	230	600	325	131						
			150	375	280	750	425							
			200	475	330	910	525							
	130	100	100	275	230	600	325	161						
			150	375	280	750	425							
			200	475	330	910	525							
	150	100	100	275	230	600	325	181						
			150	375	280	750	425							
			200	475	330	910	525							
	175	100	100	275	230	600	325	206						
			150	375	280	750	425							
			200	475	330	910	525							
	200	100	100	275	230	600	325	231						
			150	375	280	750	425							
			200	475	330	910	525							

Visual standards: first perspective

B Major category | **KT** Category | **W** Series | **F50** Inner width

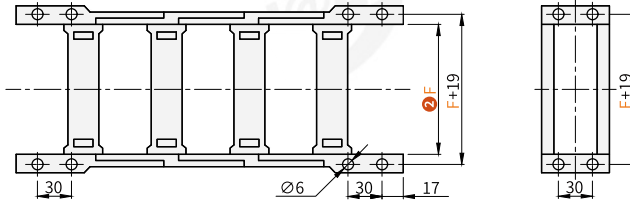
Order guide
Please refer to the series code to select the type and parameters for ordering.

B Major category | **KF** Category | **W** Series | **Q** Crossbeam

Order guide
Please refer to the series code to select the type and parameters for ordering.

Joint

Code	Type	Feature	Inside height	Material	Color	Allowable temperature	Flame retardant grade
BKTW	General use	Enhanced type	55	Engineering plastic	Black	-20°C~80°C	UL94-V0



Model	
Code	Inner width
BKTW	50
	75
	100
	125
	130
	150
	175
	200
250	

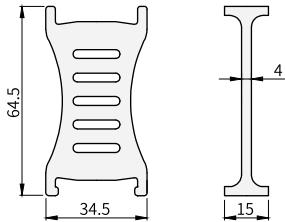


Visual standards:
first perspective

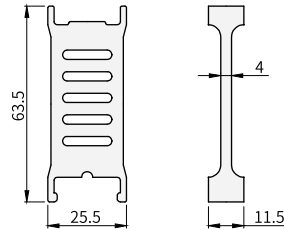
Shim

Code	Type	Feature	Inside height	Crossbeam	Material	Color	Allowable temperature	Flame retardant grade	Applicable drag chain code
BKFW-Q	General use	Enhanced type	25	Bridge	Engineering plastic	Black	-20°C~80 °C	UL94-V0	BKLW-Q
BKFW-B				Fully enclosed					BKLW-B

Bridge
BKFW-Q



Fully enclosed
BKFW-B



Visual standards:
first perspective