

JTS12 - 5 - 100 - CM - P - 100W - A - 3

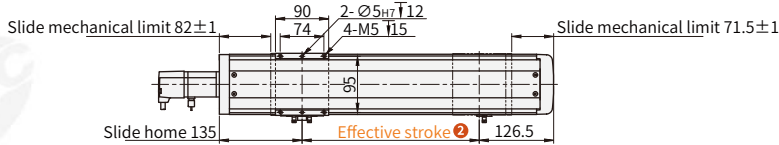
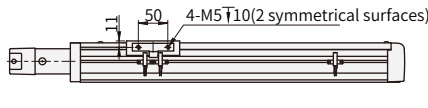
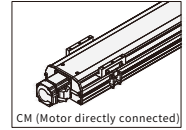
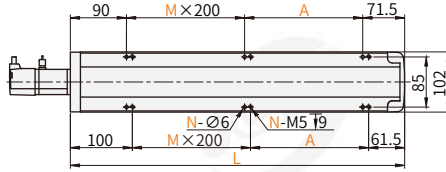
Order guide: 1 Lead, 2 Effective stroke, 3 Motor mounting method, 4 Motor brand, 5 Motor specifications, 6 Home switch, 7 Limit switch

⊙ Please refer to the series code to select the type and parameters for ordering.

Code	Trans-mission	Guide rail	Operating environment	Slide type	Base width	Repeat positioning accuracy	Max. load
JTS12	Screw transmission	Double guideway and four sliders	General environment	Standard	Base width 102mm	±0.01mm	50kg

⊙ This product does not include a motor, the motor must be purchased separately.

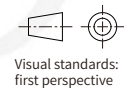
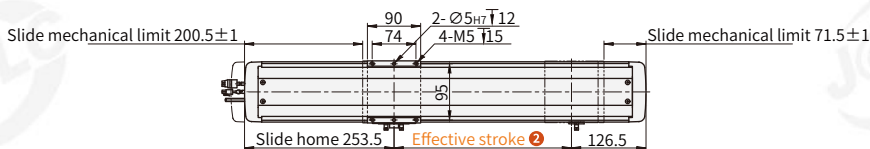
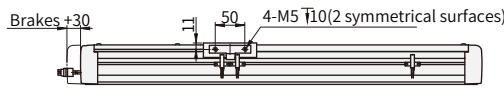
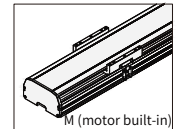
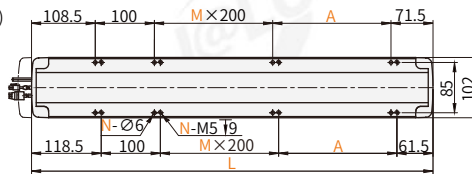
Motor mounting method:
CM (motor directly connected)



Motor mounting method	Size	Effective stroke 2																			
		100	150	200	250	300	350	400	450	500	550	600	650	700	750	800	850	900	950	1 000	1050
CM (Motor directly connected)	L	361.5	411.5	461.5	511.5	561.5	611.5	661.5	711.5	761.5	811.5	861.5	911.5	961.5	1011.5	1061.5	111.5	1161.5	1211.5	1261.5	1311.5
	A	200	50	100	150	200	50	100	150	200	50	100	150	200	50	100	150	200	50	100	150
	M	0	1	1	1	1	2	2	2	2	3	3	3	3	4	4	4	4	5	5	5
	N	4	6	6	6	6	8	8	8	8	10	10	10	10	12	12	12	12	14	14	14
	Weight(kg)※	5.8	6.2	6.6	7	7.4	7.8	8.2	8.6	9	9.4	9.8	10.2	10.6	11	11.4	11.8	12.2	12.6	13	13.4

⊙ ※ Motor weight not included.

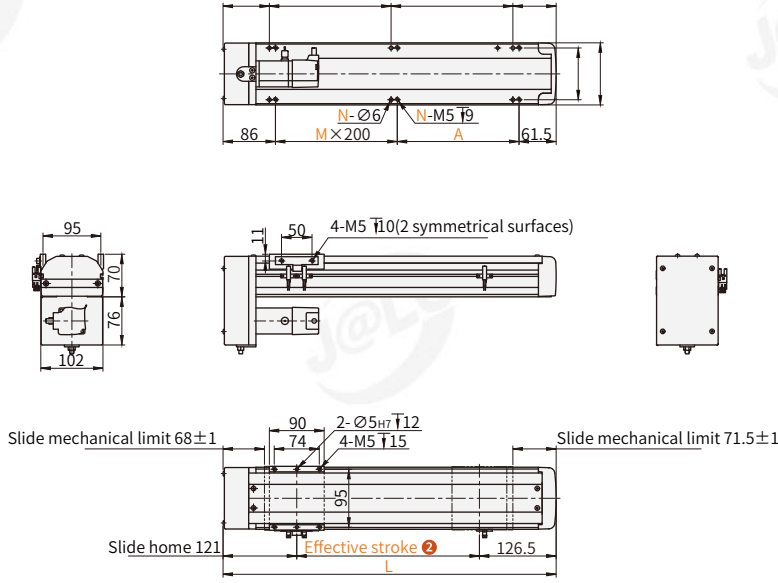
Motor mounting method: M (motor built-in)



Motor mounting method	Size	Effective stroke 2																			
		100	150	200	250	300	350	400	450	500	550	600	650	700	750	800	850	900	950	1000	1050
M (Motor built-in)	L	480	530	580	630	680	730	780	830	880	930	980	1030	1080	1130	1180	1230	1280	1330	1380	1430
	A	200	50	100	150	200	50	100	150	200	50	100	150	200	50	100	150	200	50	100	150
	M	0	1	1	1	1	2	2	2	2	3	3	3	3	4	4	4	4	5	5	5
	N	6	8	8	8	8	10	10	10	10	12	12	12	12	14	14	14	14	16	16	16
	Weight(kg)※	6.6	7	7.4	7.8	8.2	8.6	9	9.4	9.8	10.2	10.6	11	11.4	11.8	12.2	12.6	13	13.4	13.8	14.2

⊙ ※ Motor weight not included.

Aluminum Base Linear Module

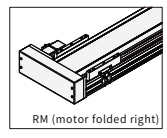
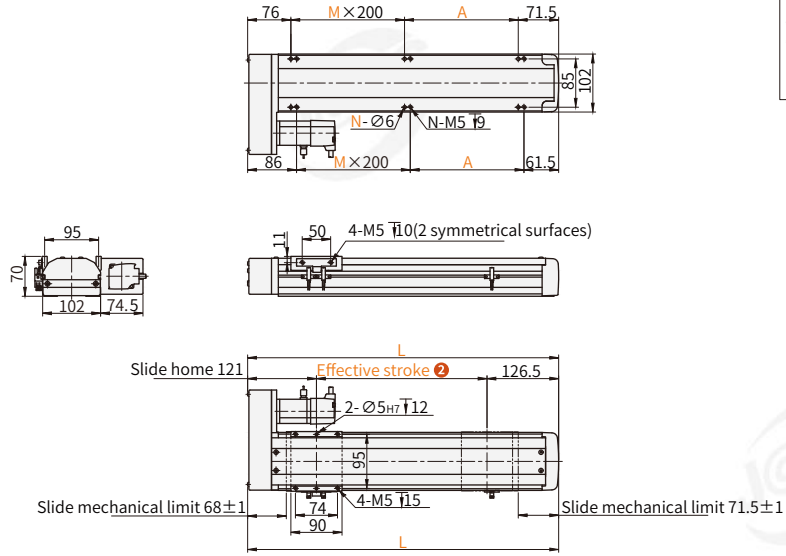


Visual standards:
first perspective

Motor mounting method	Size	Effective stroke 2																			
		100	150	200	250	300	350	400	450	500	550	600	650	700	750	800	850	900	950	1000	1050
DM (Motor folded down)	L	347.5	397.5	447.5	497.5	547.5	597.5	647.5	697.5	747.5	797.5	847.5	897.5	947.5	997.5	1047.5	1097.5	1147.5	1197.5	1247.5	1297.5
	A	200	50	100	150	200	50	100	150	200	50	100	150	200	50	100	150	200	50	100	150
	M	0	1	1	1	1	2	2	2	2	3	3	3	3	4	4	4	4	5	5	5
	N	4	6	6	6	6	8	8	8	8	10	10	10	10	12	12	12	12	14	14	14
	Weight(kg)※	6.05	6.44	6.83	7.22	7.61	8	8.39	8.78	9.17	9.56	9.95	10.34	10.73	11.12	11.51	11.9	12.29	12.68	13.07	13.46

※ Motor weight not included.

Motor mounting: RM (motor folded right)

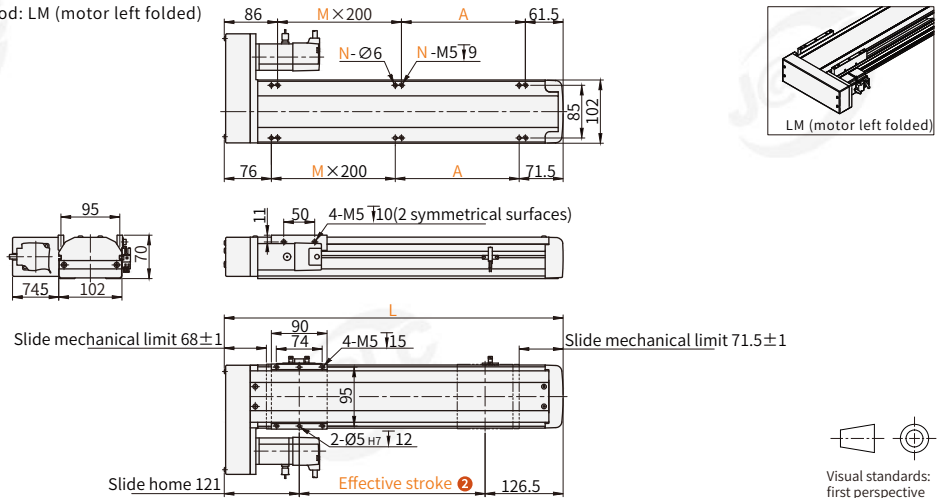


Visual standards:
first perspective

Motor mounting method	Size	Effective stroke 2																			
		100	150	200	250	300	350	400	450	500	550	600	650	700	750	800	850	900	950	1000	1050
RM (Motor right folded)	L	347.5	397.5	447.5	497.5	547.5	597.5	647.5	697.5	747.5	797.5	847.5	897.5	947.5	997.5	1047.5	1097.5	1147.5	1197.5	1247.5	1297.5
	A	200	50	100	150	200	50	100	150	200	50	100	150	200	50	100	150	200	50	100	150
	M	0	1	1	1	1	2	2	2	2	3	3	3	3	4	4	4	4	5	5	5
	N	4	6	6	6	6	8	8	8	8	10	10	10	10	12	12	12	12	14	14	14
	Weight(kg)※	6.05	6.44	6.83	7.22	7.61	8	8.39	8.78	9.17	9.56	9.95	10.34	10.73	11.12	11.51	11.9	12.29	12.68	13.07	13.46

※ Motor weight not included.

Motor mounting method: LM (motor left folded)



Motor mounting method	Size	Effective stroke ②																			
		100	150	200	250	300	350	400	450	500	550	600	650	700	750	800	850	900	950	1000	1050
LM (Motor left folded)	L	347.5	397.5	447.5	497.5	547.5	597.5	647.5	697.5	747.5	797.5	847.5	897.5	947.5	997.5	1047.5	1097.5	1147.5	1197.5	1247.5	1297.5
	A	200	50	100	150	200	50	100	150	200	50	100	150	200	50	100	150	200	50	100	150
	M	0	1	1	1	1	2	2	2	2	3	3	3	3	4	4	4	4	5	5	5
	N	4	6	6	6	6	8	8	8	8	10	10	10	10	12	12	12	12	14	14	14
Weight(kg)※		6.05	6.44	6.83	7.22	7.61	8	8.39	8.78	9.17	9.56	9.95	10.34	10.73	11.12	11.51	11.9	12.29	12.68	13.07	13.46

※ Motor weight not included.

Code	Model	Effective stroke (min. unit 50) ②	Motor mounting method ③	Motor brand ④	Motor specifications ⑤	Home switch ⑥	Limit switch ⑦
JTS12	5	100~1050 Non-standard stroke can be customized	M (motor built-in) CM (Motor directly connected) DM (motor folded down) RM (motor folded right) LM (motor left folded)	P (Panasonic) Y (Yaskawa) M (Mitsubishi) T (Delta)	100W, 200W servo	Built-in type: A (motor side) B (motor reverse side) External type: C (motor side) D (motor reverse side) Nil: E (none)	3(1*) 4(2*) None 5(None)
	10						
	20						

- ② 200W servo motors are not suitable for motor built-in
- ③ Limit switches are built-in with the home switch and external with the Home switch
- ④ Detailed parameter list

⑤ Allowable torque table

Motor specifications ⑤	100W servo		200W servo					
	Repeat positioning accuracy(mm)	±0.01						
Performances	Screw lead(mm) ①	5	10	20	5	10	20	
	Max. load (kg)	Horizontal use	50	30	18	50	30	18
		Vertical use	12	8	3	12	8	3
Rated thrust(N)	340	180	85	680	340	170		
Component	Ball screw outer diameter	16						
	Linear guide specifications	W20×H8 Two four sliders						
	Limit switch	External type	SX672(NPN)					
Inductive switch		SX674(NPN)						

Mxd	130 N.M	Description: 1. The actual load is subject to the following conditions. (a) Satisfy the Max. load condition in the "Detailed Parameter List". (b) Satisfy the torque conditions in the "Table of permissible moments". Excessive use will significantly reduce the life of the slide. 2. The data in the table is based on a rated life of 10,000km. 3. Repeat positioning accuracy in the table is a unidirectional value. 4. Screw-driven sliding table to reach a certain stroke, the maximum speed needs to be appropriately reduced. In order to avoid the resonance of the slide, affecting the service life. 5. The rated acceleration of the slide is 0.3G, and the short stroke slide may not be able to reach the maximum speed. 6. If the sliding table is used vertically, please choose the motor with holding brake.
Myd	150 N.M	
Mzd	150 N.M	

The torque values in the table are the dynamic allowable torque based on a stroke life of 10,000 km for the slide.
Torque conditions.
Mx/Mxd+My/Myd+Mz/Mzd<1
(Mx, My, Mz are the actual moments in each direction respectively)

- ⑥ If you need Omron brand or PNP type photoelectric switch, please communicate with us.
- ⑦ Max. speed

Screw outer diameter	Motor specifications ⑤	Screw lead ①	Effective stroke ②																		
			100	150	200	250	300	350	400	450	500	550	600	650	700	750	800	850	900	950	1000
16	100W, 200W servo	5													250						
		10													500	225	200	175	150	125	100
		20													1000	450	400	350	300	250	200
																900	800	700	600	500	400

⑧ Matching servo motor list

Motor brand ④	With or without brakes	Motor capacity ⑤	Servo motor model	Drive model
P(Panasonic)	No brakes (horizontal)	100W	MSMF012L1U2M	MA DLN05SE
	With brake (vertical)		MSMF012L1V2M	
	No brakes (horizontal)	200W	MSMF022L1U2M	MA DLN15SE
	With brake (vertical)		MSMF022L1V2M	
M(Mitsubishi)	No brakes (horizontal)	100W	HG-KN13J-S100	MR-JE-10A
	With brake (vertical)		HG-KN13BJ-S100	

Motor brand ④	With or without brakes	Motor capacity ⑤	Servo motor model	Drive model
M (Mitsubishi)	No brakes (horizontal)	200W	HG-KN23J-S100	MR-JE-20A
	With brake (vertical)		HG-KN23BJ-S100	
	No brakes (horizontal)	100W	ECMA-C20401GS	ASD-B2-0121-B
	With brake (vertical)		ECMA-C20401FS	
TDelta (B2)	No brakes (horizontal)	200W	ECMA-C2 0602RS	ASD-B2-0221-B
	With brake (vertical)		ECMA-C2 0602SS	

⑧ For other motors, please consult our staff. ⑧ The models in the table are the motor and driver models for sale in our official website, the standard module model only provides the module part, not with the motor and driver.