

Order guide: **JTS13 - 5 - 100 - M - P - 200W - A - 3**

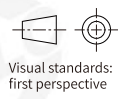
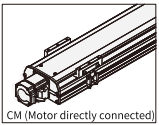
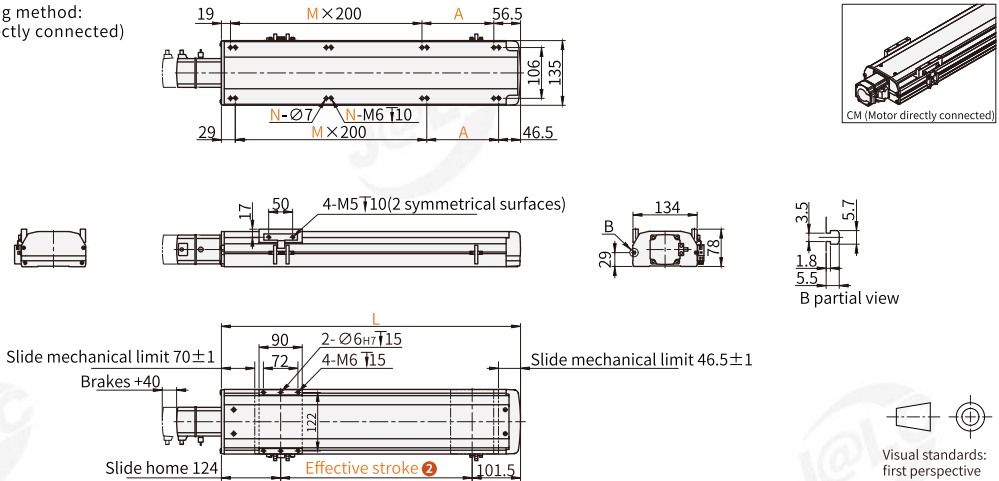
Code: 1 Lead, 2 Effective stroke, 3 Motor mounting method, 4 Motor brand, 5 Motor specifications, 6 Home switch, 7 Limit switch

⊗ Please refer to the series code to select the type and parameters for ordering.

Code	Transmission	Guide rail	Operating environment	Slide type	Base width	Repeat positioning accuracy	Max. load
JTS13	Screw transmission	Dual guideway two sliders	General environment	Standard	Base width 102mm	±0.01mm	55kg

⊗ This product does not include a motor, the motor must be purchased separately.

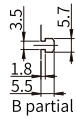
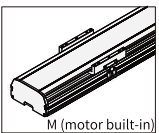
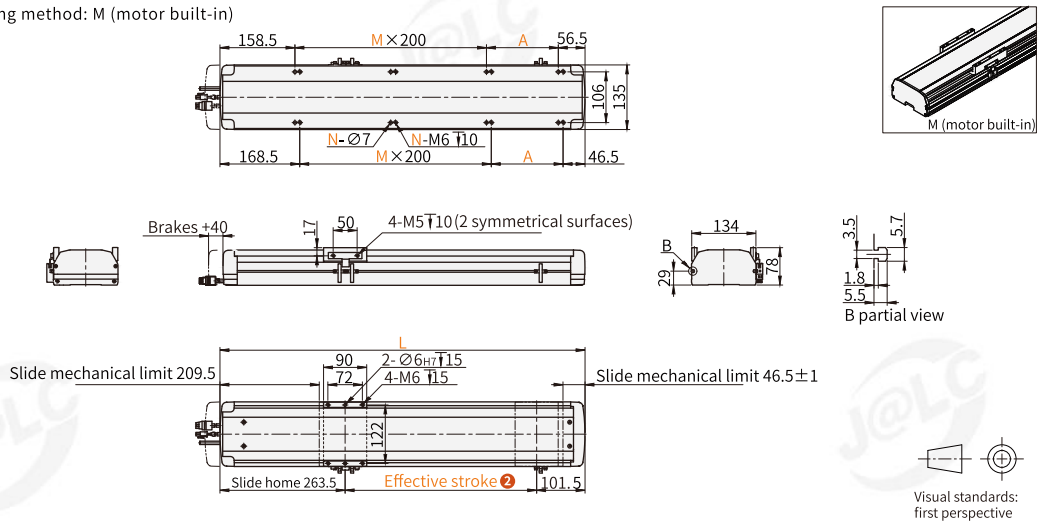
Motor mounting method:
CM (motor directly connected)



Motor mounting method	Size	Effective stroke ²																			
		100	150	200	250	300	350	400	450	500	550	600	650	700	750	800	850	900	950	1000	1050
CM (Motor directly connected)	L	325.5	375.5	425.5	475.5	525.5	575.5	625.5	675.5	725.5	775.5	825.5	875.5	925.5	975.5	1025.5	1075.5	1125.5	1175.5	1225.5	1275.5
	A	50	100	150	200	50	100	150	200	50	100	150	200	50	100	150	200	50	100	150	200
	M	1	1	1	1	2	2	2	2	3	3	3	3	4	4	4	4	5	5	5	5
	N	6	6	6	6	8	8	8	8	10	10	10	10	12	12	12	12	14	14	14	14
	Weight(kg)※	7.96	8.52	9.08	9.64	10.2	10.76	11.32	11.88	12.44	13	13.56	14.12	14.68	15.24	15.8	16.36	16.92	17.48	18.04	18.6

⊗ ※ Motor weight not included.

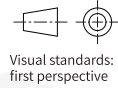
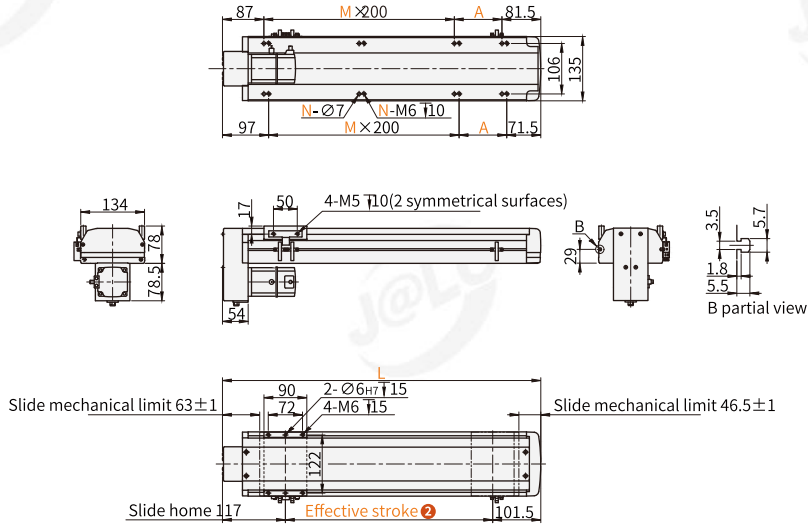
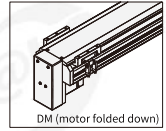
Motor mounting method: M (motor built-in)



Motor mounting method	Size	Effective stroke ²																			
		100	150	200	250	300	350	400	450	500	550	600	650	700	750	800	850	900	950	1000	1050
M (Motor built-in)	L	465	515	565	615	665	715	765	815	865	915	965	1015	1065	1115	1165	1215	1265	1315	1365	1415
	A	50	100	150	200	50	100	150	200	50	100	150	200	50	100	150	200	50	100	150	200
	M	1	1	1	1	2	2	2	2	3	3	3	3	4	4	4	4	5	5	5	5
	N	6	6	6	6	8	8	8	8	10	10	10	10	12	12	12	12	14	14	14	14
	Weight(kg)※	8.88	9.42	9.98	10.54	11.1	11.66	12.22	12.78	13.34	13.9	14.49	15.02	15.58	16.14	16.7	17.26	17.82	18.38	18.94	19.5

⊗ ※ Motor weight not included.

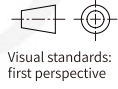
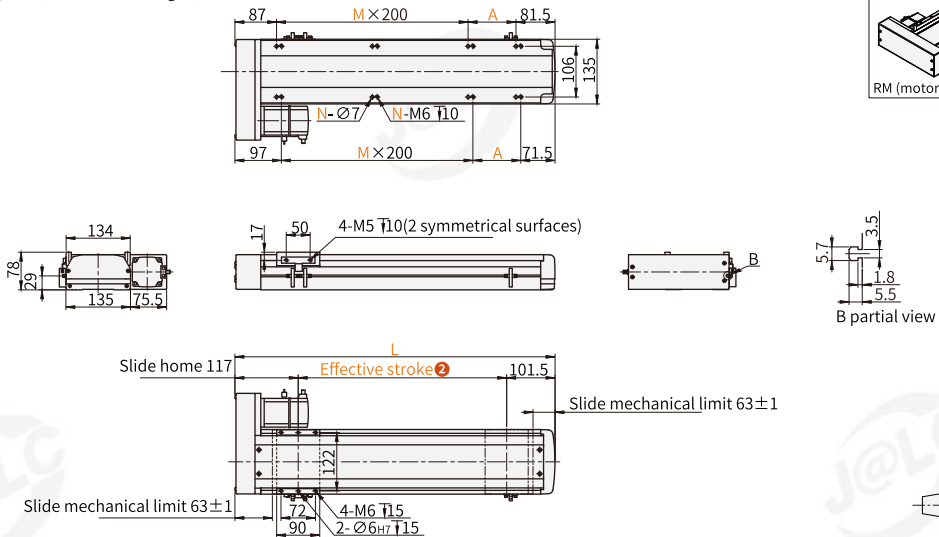
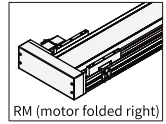
Motor mounting: DM (motor folded down)



Motor mounting method	Size	Effective stroke ②																			
		100	150	200	250	300	350	400	450	500	550	600	650	700	750	800	850	900	950	1000	1050
DM (Motor folded down)	L	318.5	368.5	418.5	468.5	518.5	568.5	618.5	668.5	718.5	768.5	818.5	868.5	918.5	968.5	1018.5	1068.5	1118.5	1168.5	1218.5	1268.5
	A	150	200	50	100	150	200	50	100	150	200	50	100	150	200	50	100	150	200	50	100
	M	0	0	1	1	1	1	2	2	2	2	3	3	3	3	4	4	4	4	5	5
	N	4	4	6	6	6	6	8	8	8	8	10	10	10	10	12	12	12	12	14	14
	Weight(kg) ※	8.5	9.06	9.62	10.18	10.74	11.3	11.86	12.42	12.98	13.54	14.1	14.66	15.22	15.78	16.34	16.9	17.46	18.02	18.58	19.14

※ Motor weight not included.

Motor mounting: RM (motor folded right)

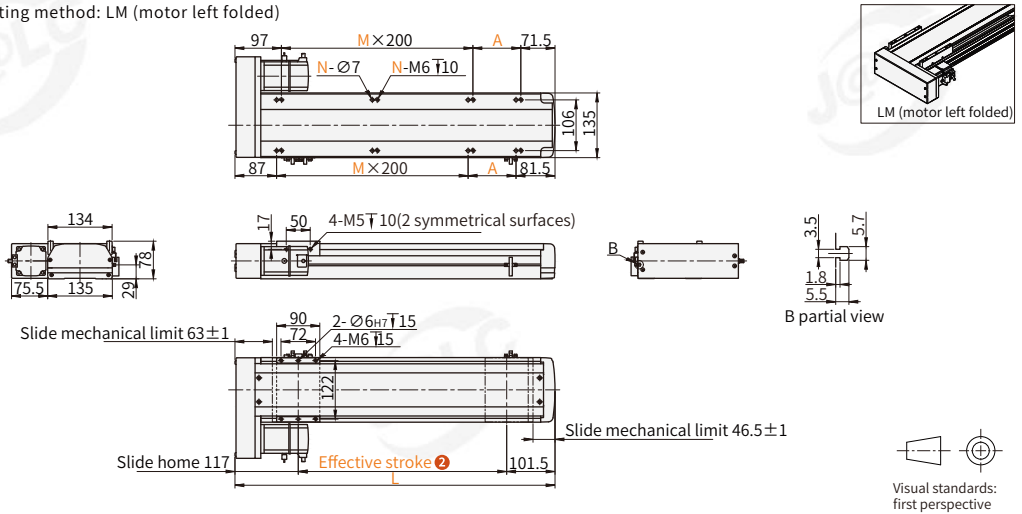


Motor mounting method	Size	Effective stroke ②																			
		100	150	200	250	300	350	400	450	500	550	600	650	700	750	800	850	900	950	1000	1050
RM (Motor right folded)	L	318.5	368.5	418.5	468.5	518.5	568.5	618.5	668.5	718.5	768.5	818.5	868.5	918.5	968.5	1018.5	1068.5	1118.5	1168.5	1218.5	1268.5
	A	150	200	50	100	150	200	50	100	150	200	50	100	150	200	50	100	150	200	50	100
	M	0	0	1	1	1	1	2	2	2	2	3	3	3	3	4	4	4	4	5	5
	N	4	4	6	6	6	6	8	8	8	8	10	10	10	10	12	12	12	12	14	14
	Weight(kg) ※	8.5	9.06	9.62	10.18	10.74	11.3	11.86	12.42	12.98	13.54	14.1	14.66	15.22	15.78	16.34	16.9	17.46	18.02	18.58	19.14

※ Motor weight not included.

Aluminum Base Linear Module

Motor mounting method: LM (motor left folded)



Motor mounting method	Size	Effective stroke ②																			
		100	150	200	250	300	350	400	450	500	550	600	650	700	750	800	850	900	950	1000	1050
LM (Motor left folded)	L	318.5	368.5	418.5	468.5	518.5	568.5	618.5	668.5	718.5	768.5	818.5	868.5	918.5	968.5	1018.5	1068.5	1118.5	1168.5	1218.5	1268.5
	A	150	200	50	100	150	200	50	100	150	200	50	100	150	200	50	100	150	200	50	100
	M	0	0	1	1	1	1	2	2	2	2	3	3	3	3	4	4	4	4	5	5
	N	4	4	6	6	6	6	8	8	8	8	10	10	10	10	12	12	12	12	14	14
Weight(kg) ※		8.5	9.06	9.62	10.18	10.74	11.3	11.86	12.42	12.98	13.54	14.1	14.66	15.22	15.78	16.34	16.9	17.46	18.02	18.58	19.14

※ Motor weight not included.

Code	Model	Effective stroke (min. unit 50) ②	Motor mounting method ③	Motor brand ④	Motor specifications ⑤	Home switch ⑥	Limit switch ⑦
JTS13	5	100~1050 Non-standard stroke can be customized	M (motor built-in) CM (Motor directly connected) DM (motor folded down) RM (motor folded right) LM (motor left folded)	P (Panasonic) Y (Yaskawa) M (Mitsubishi) T (Delta)	200W、 400W Servo	Built-in type: A (motor side) B (motor reverse side) External type: C (motor side) D (motor reverse side) Nil: E (none)	3(1*) 4(2*) None 5(None)
	10						
	20						

⑦ Limit switches are built-in with the home switch and external with the Home switch

⑧ 详细参数表

Performances	Motor specifications ⑤		200W servo		400W servo				
	Repeat positioning accuracy(mm)	±0.01							
Max. load (kg)	Screw lead(mm) ①	Horizontal use	5	10	20	5	10	20	
			Vertical use	50	30	18	50	30	18
			Vertical use	12	8	3	12	8	3
Rated thrust(N)			680	340	170	1360	680	340	
Component	Ball screw outer diameter	16							
	Linear guide specifications	W15×H12.5 Two pieces Double slider							
	Limit switch	External type	SX672(NPN)						
Inductive switch		SX674(NPN)							

⑨ If you need Omron brand or PNP type photoelectric switch, please communicate with us.

⑩ Max. speed

Screw outer diameter	Motor specifications ⑤	Screw lead ①	Effective stroke ②																											
			100	150	200	250	300	350	400	450	500	550	600	650	700	750	800	850	900	950	1000	1050								
16	200W, 400W servo	5													250			225			200		175		150		125		100	
		10													500			450			400		350		300		250		200	
		20													1000			900			800		700		600		500		400	

⑪ Matching servo motor list

Motor brand ④	With or without brakes	Motor capacity ⑤	Servo motor model	Drive model	Motor brand ④	With or without brakes	Motor capacity ⑤	Servo motor model	Drive model
P(Panasonic)	No brakes (horizontal)	200W	MSMF022L1U2M	MA DLN05SE	M(Mitsubishi)	No brakes (horizontal)	400W	HG-KN43J-S100	MR-JE-20A
	With brake (vertical)		MSMF022L1V2M			HG-KN43BJ-S100			
	No brakes (horizontal)	400W	MHMF042L1U2M	MA DLN15SE		No brakes (horizontal)	200W	ECMA-C2 0602RS	ASD-B2-0121-B
	With brake (vertical)		MHMF042L1V2M			ECMA-C2 0602SS			
M(Mitsubishi)	No brakes (horizontal)	200W	HG-KN23J-S100	MR-JE-10A	T Delta (B2)	No brakes (horizontal)	400W	ECM-B3M-C2 0604RS1	ASD-B2-0221-B
	With brake (vertical)		HG-KN23BJ-S100			ECM-B3M-C2 0602SS			

⑫ For other motors, please consult our staff. ⑬ The models in the table are the motor and driver models for sale in our official website, the standard module model only provides the module part, not with the motor and driver.