

JKK60 - 5 - C - 150 - A1 - F0 - C - S0

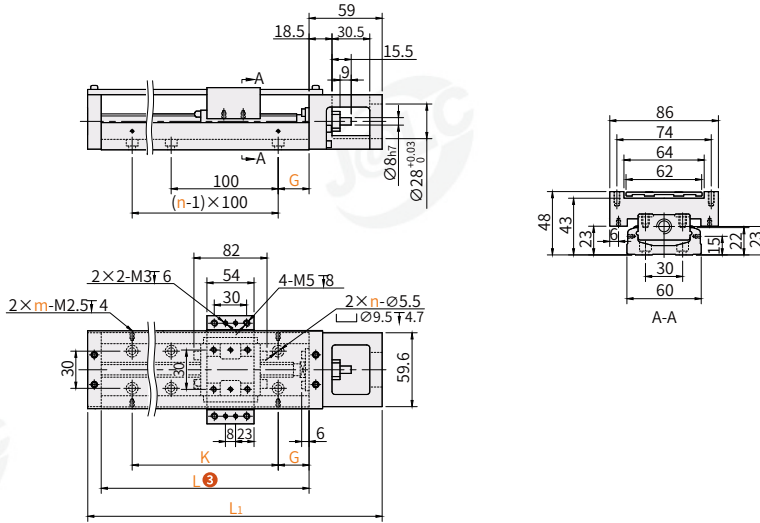
Code 2 Accuracy class 4 Slider type 6 Cover

Order guide 1 Lead 3 Track length 5 Motor connection flange 7 External photoelectric switch

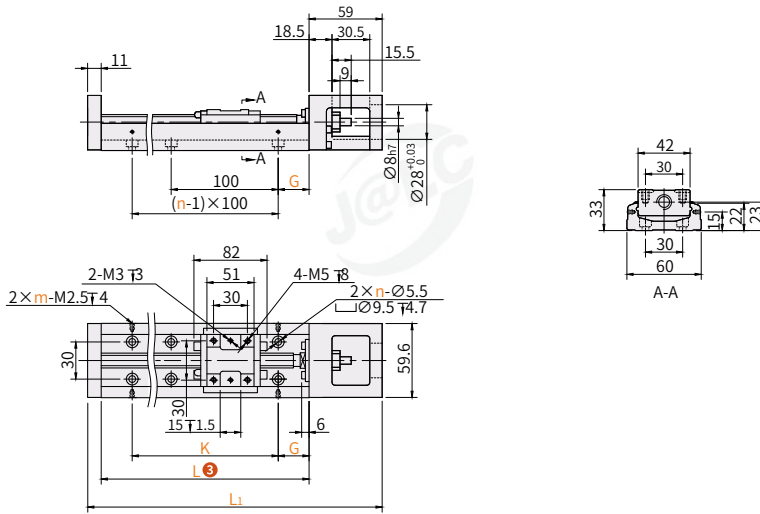
Ⓢ Please refer to the series code to select the type and parameters for ordering.

Code	Transmission	Foundation	Operating environment	Slide type	Base width
JKK60	Screw transmission	Steel	General environment	Standard	Base width 60mm

○ Covered



○ Unprotected



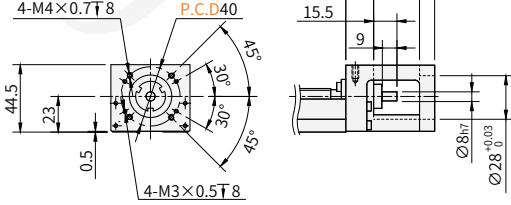
Visual standards: first perspective

Model		Accuracy class 2	Track length L 3	Slider type 4	Motor connection flange 5	Cover 6	External photoelectric switch	Table length L1	G	n	K	m	Weight (kg)					
Code	Lead 1												Single slide	Double slide	Single slide without cover	Single slide with cover	Double slide without cover	Double slide with cover
JKK60	5 10 20	C (General grade) P (Precision grade)	150 ✖	A1 (Single slide) A2 (Double slide)	F0, F1, F2, F3, F4, F5, F6	Not indicated: (none) With cover: C: C	Not indicated: (none) S0 (Limit rail only.) S2 (Extreme rail + SX674) S4 (with SX674 photoelectric switch mounting kit, without photoelectric switch)	220	25	2	100	2	60	—	1.5	1.7	—	—
			270					3	200	2	110	—	1.8	2.1	—	—		
		370	3	200	4	210	135	2.4	2.7	2.7	3							
		470	50	4	100	4	310	235	3	3.3	3.3	3.6						
		570	5	200	3	410	335	3.6	3.9	3.9	4.2							
		670	6	100	6	510	435	4.2	4.6	4.6	5							

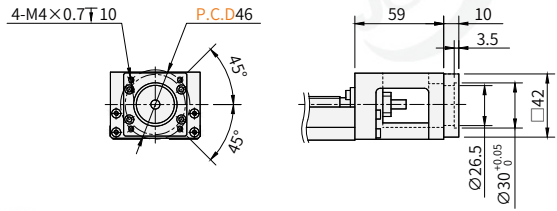
- Ⓢ The numbered track lengths are not available for double slides.
- Ⓢ Please contact us if you need OMRON brand or PNP type for photoelectric switch.

Motor connection support and motor correspondence table

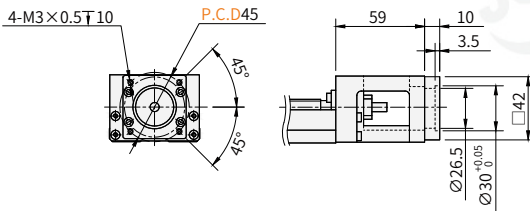
Motor connection Support: F0



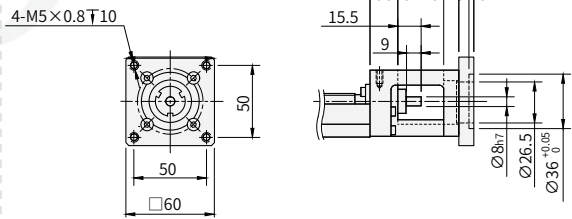
Motor connection Support: F1



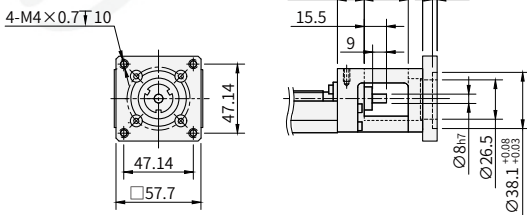
Motor connection Support: F2



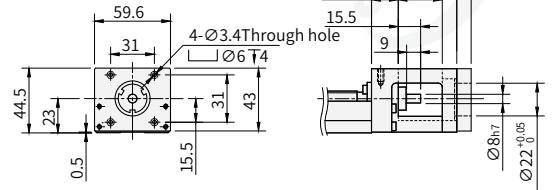
Motor connection Support: F3



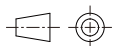
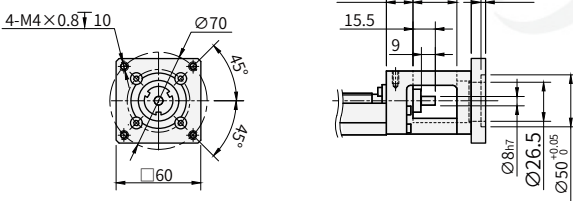
Motor connection Support: F4



Motor connection Support: F5



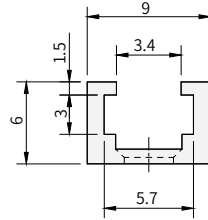
Motor connection Support: F6



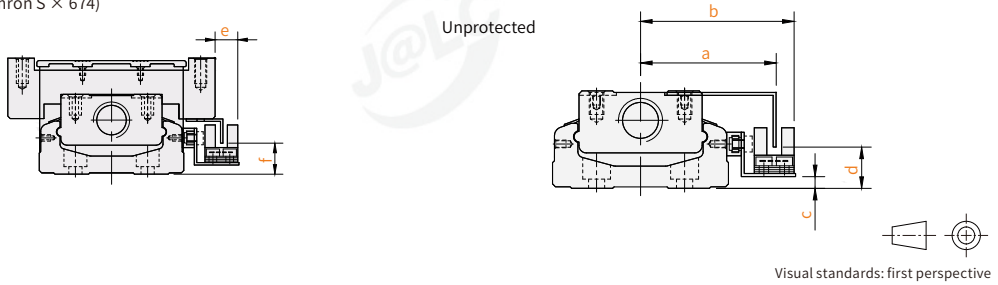
Visual standards: first perspective

Code	Applicable motor type	Motor connection flange	Applicable brands		Output power
			Manufacturer's name	Specification	
JKK60	Servo motor	F0	-	-	-
		F1	Mitsubishi Motors	HC-PQ053	50W
				HC-PQ13	100W
				HC-KFS053	50W
		F2	Panasonic Corporation	HC-KFS153	100W
				MSM5AZ	50W
	MSM01			100W	
	Stepper motor	F4	Leadshine	57	-
		F5	Leadshine	42	-
	Servo motor	F6	Mitsubishi Motors	HC-KFS23	200W
HC-KFS43				400W	
Panasonic Corporation			MSM02	200W	
			MSM04	400W	

○ Limit switch/Mounting rail size chart
S0 (limit rail)



S2 (limit rail + Omron S × 674)
Covered



Visual standards: first perspective

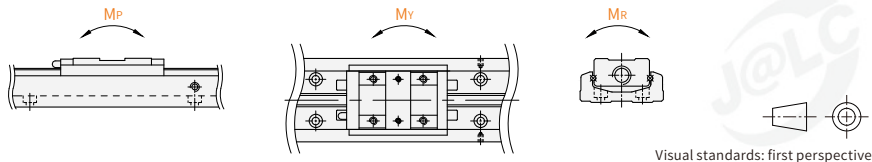
Code	External photoelectric switch	a	b	c	d	e	f
JKK60	S2Extreme rail + SX674)	46.2	52.8	4	14	3.2	13

○ Accuracy class

Code	Track length L	Positional reproducibility		Position accuracy		Stroke parallelism		Maximum starting torque (N-cm)	
		General grade	Precision grade	General grade	Precision grade	General grade	Precision grade	General grade	Precision grade
JKK60	150	±0.01	±0.005	—	0.020	—	0.010	7	15
	200								
	300								
	400								
	500								
600	—	0.025	0.015						

○ Allowable static moment

Code	Accuracy class	Allowable static moment					
		Linear guides					
		Pitch MP(N-m)		Partial pendulum MY (N-m)		Rolling MR(N-m)	
		Single slide	Double slide	Single slide	Double slide	Single slide	Double slide
JKK60	General grade precision grade	152	348	152	348	419	838



Visual standards: first perspective

○ Allowable load

Code	Lead	Accuracy class	Basic load rating (N)			
			Ball screw		Linear guides	
			C (dynamic)	C (dynamic)	C (dynamic)	C (dynamic)
JKK60	5	General grade	3377	5625	13230	21462
		precision grade	3744	6243		
	10	General grade	2107	3234		
		precision grade	2410	2743		