

**JKK60B - 5 - C - 150 - A1 - DM - M**

Code      1 Lead Screw      2 Accuracy Grade      3 Track Length      4 Slider Type      5 Motor Mounting Method      6 Compatible Motor Brands

Order guide

Please refer to the series code to select the type and parameters for ordering.

**JKK60B - 100W - C - S0**

Code      7 Motor Connection Flange      8 Cover      9 External Photoelectric Switch

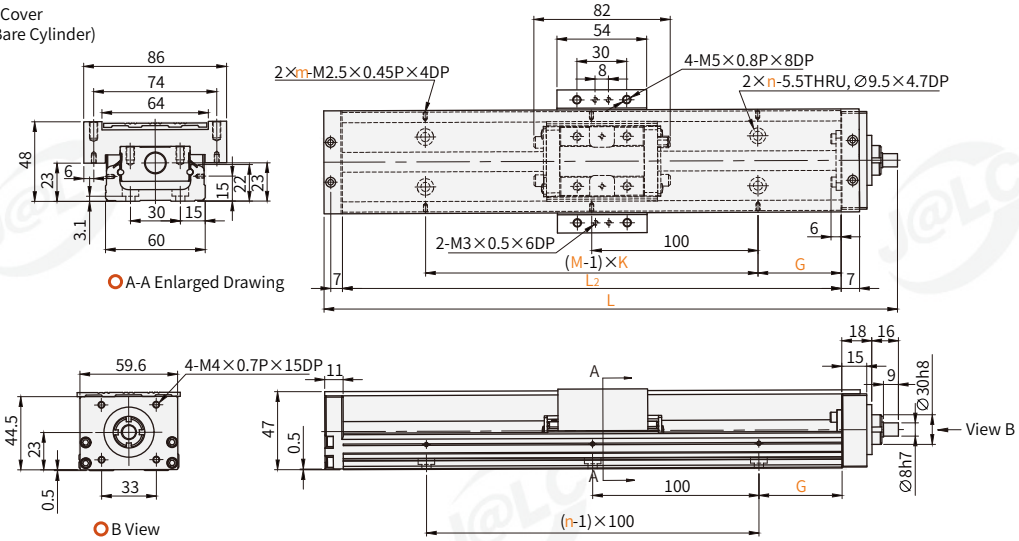
Order guide

Please refer to the series code to select the type and parameters for ordering.

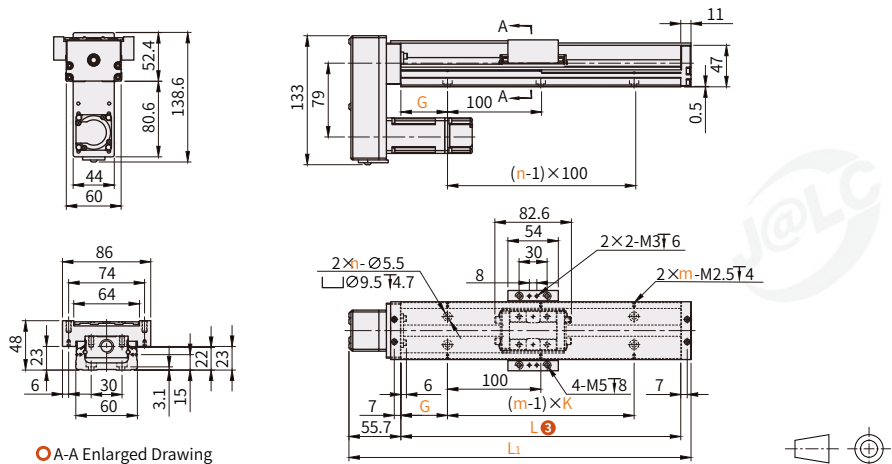
Code	Aluminum Cover	Transmission	Base	Operating Environment	Load	Base Width
JKK60B	With Cover	Ball Screw Transmission	Steel	General Environment	Standard Type	Base Width 60mm
	Without Cover					

The product does not include a motor.

With Cover  
H0 (Bare Cylinder)



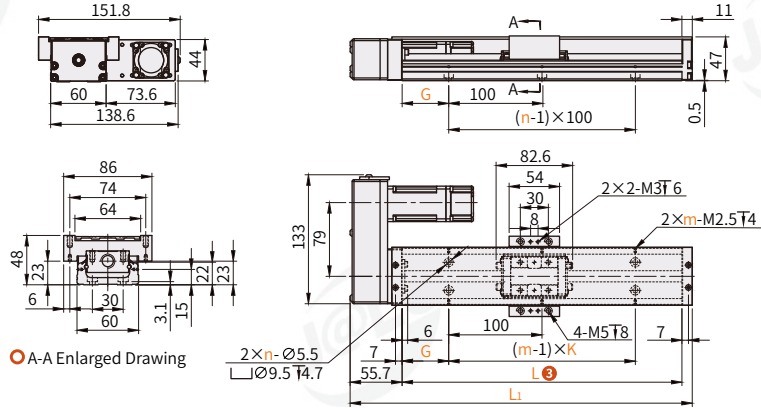
DM (Motor Down Fold)



Visual standards:  
first perspective

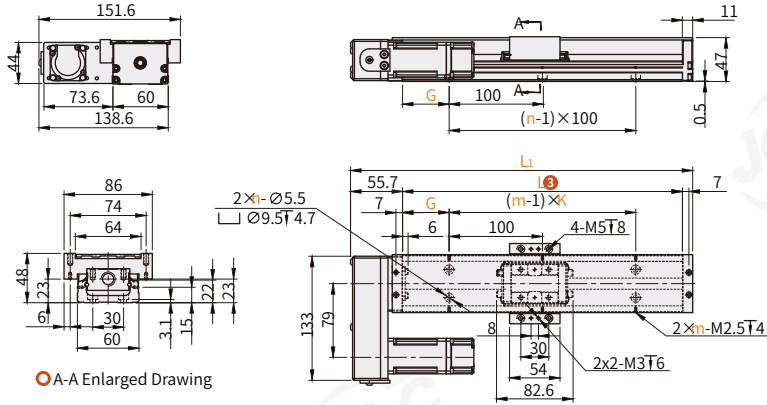
Steel Linear Actuators

RM (Motor Right Fold)



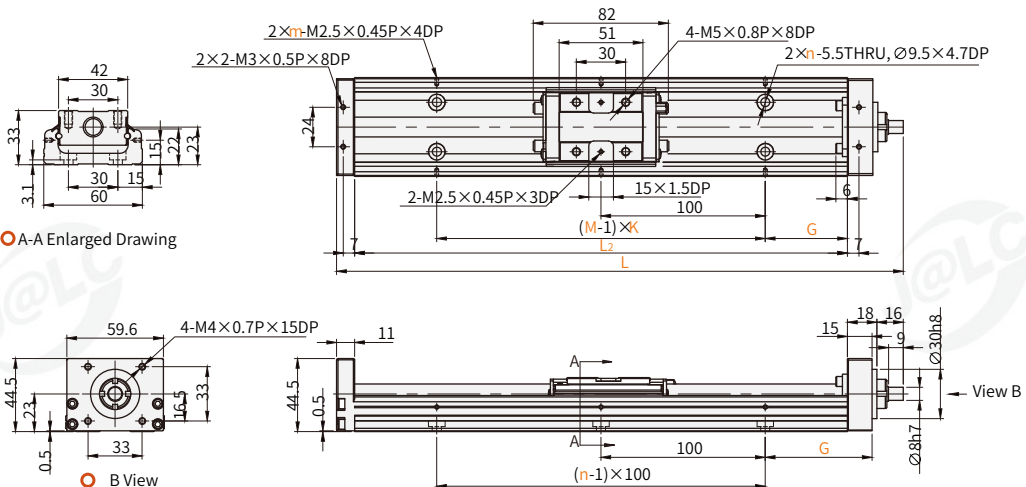
○ A-A Enlarged Drawing

LM (Motor Left Fold)



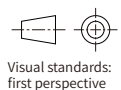
○ A-A Enlarged Drawing

Without Cover  
H0 (Bare Cylinder)

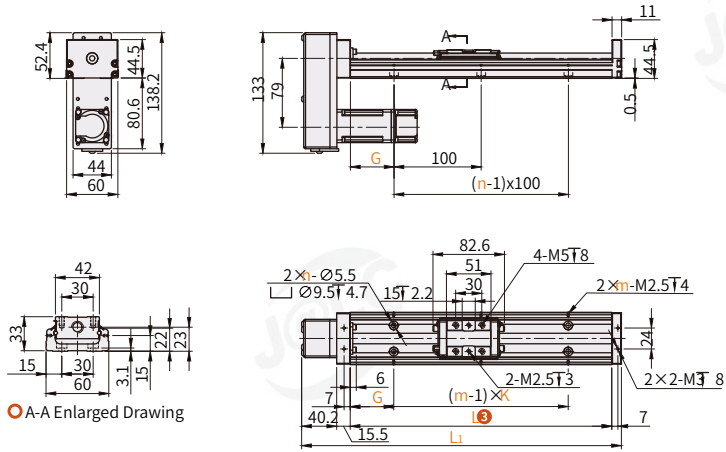


○ A-A Enlarged Drawing

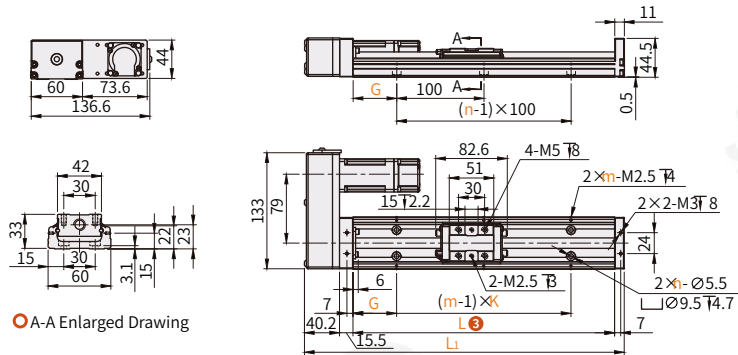
○ B View



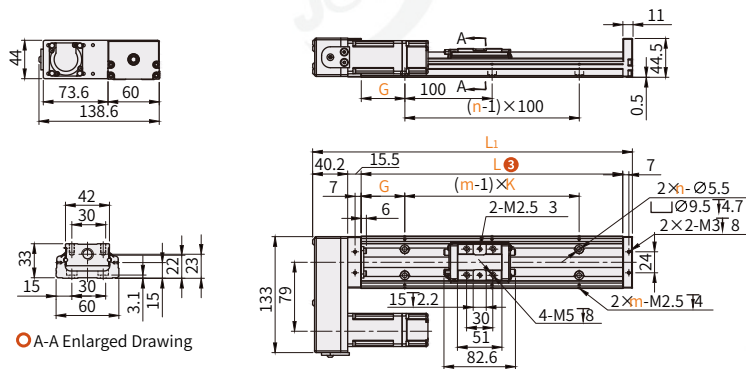
DM (Motor Down Fold)



A-A Enlarged Drawing



LM (Motor Left Fold)



Visual standards:  
 first perspective

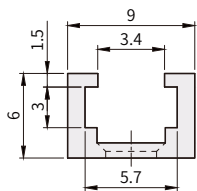
Model		Accuracy Grade ②	Track Length L ③	Slider Type ④	Motor Mounting Method ⑤	Compatible Motor Brands ⑥	Motor Connection Flange ⑦	Cover ⑧	External Photoelectric Switch ⑨
Code	Lead Screw ①								
JKK60B	5 10		150※						
			200		H0 (Bare Cylinder)				
		C (General Grade)	300	A1 (Single Slider)	LM (Motor Left Fold)	M P T	100W 42	C	Not Indicated: (None) S0 (Only Limit Track) S2 (Limit Track + SX671)
		P (Precision Grade)	400	A2 (Double Slider)	RM (Motor Right Fold) DM (Motor Down Fold)	Y L	57	None	
			500						
			600						

Model		Ball Screw		Work Table Length L1		G	n	K	m	Maximum Stroke		Weight (kg)			
Code	Lead Screw ①	Screw Diameter	Lead Screw	H0	DM/LM/RM					Single Slider	Double Slider	Single Slider Without Cover	Double Slider With Cover	Single Slider Without Cover	Double Slider With Cover
JKK60B	5 10	5	5	195	216.7	25				60		2.0	2.3		
			10												
			5	245	266.7		2	100	2	110		2.3	2.6		
			10												
			5	345	366.7		3	200		210	135	2.9	3.2	3.2	3.7
			10												
		12	5	445	466.7	50	4	100	4	310	235	3.5	3.8	3.8	4.3
			10												
			5	545	566.7		5	200	3	410	355	4.1	4.4	4.4	4.9
			10												
			5	645	666.7		6	100	6	510	435	4.7	5.0	5.1	5.5
			10												

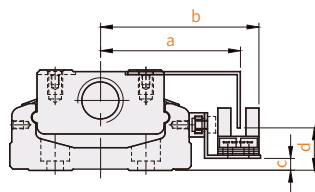
- ③ Tracks with ※ mark are not applicable for double sliders.
- ⑦ When compatible with Leadshine 57 stepper motors, the default motor shaft diameter is 8mm; if the motor shaft diameter is different, please communicate with our company.

⑨ External Photoelectric Switch Size Chart

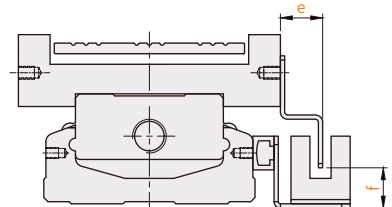
S0 (Limit Track)



S2 (Limit Track + SX674) Without Cover



S2 (Limit Track + SX674) With Cover



Code	External Photoelectric Switch ①	a	b	c	d	e	f
JKK60B	S2 (Limit Track + SX674)	46.2	52.8	4	14	3.2	13

○ Accuracy Grade

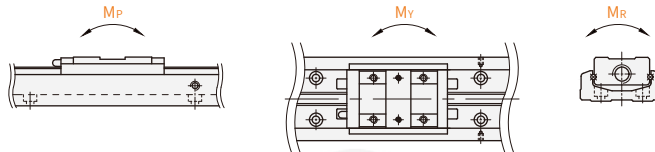
Code	Track Length L ②	Repeatability		Positioning Accuracy		Walking Parallelism		Maximum Starting Torque (N-cm)	
		General Grade	Precision Grade	General Grade	Precision Grade	General Grade	Precision Grade	General Grade	Precision Grade
JJK60B	150	±0.01	±0.05	—	0.020	—	0.010	7	15
	200								
	300								
	400								
	500								
	600								

○ Permissible Load

Code	Lead Screw ①	Accuracy Grade	Basic Rated Load (N)			
			Ball Screw		Linear Guide	
			C (Dynamic)	Co (Static)	C (Dynamic)	Co (Static)
JJK60B	10	General Grade	3377	5625	13230	21462
		Precision Grade	3744	6243		
	20	General Grade	2107	3234		
		Precision Grade	2410	3743		

○ Permissible Static Torque

Code	Lead Screw	Permissible Static Torque					
		Linear Guide					
		Pitch MP(N-m)		Yaw MY(N-m)		Swing MR(N-m)	
		Single Slider	Double Slider	Single Slider	Double Slider	Single Slider	Double Slider
JJK60B	General Grade	152	348	152	348	419	828
	Precision Grade						



Steel Linear Actuators