

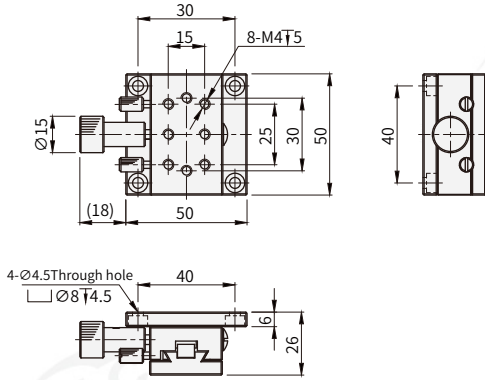
**B** **YT** **J** - **50**  
 (Major category) (Series) (Specification)  
 Order guide (Category)

☉ Please refer to the series code to select the type and parameters for ordering.

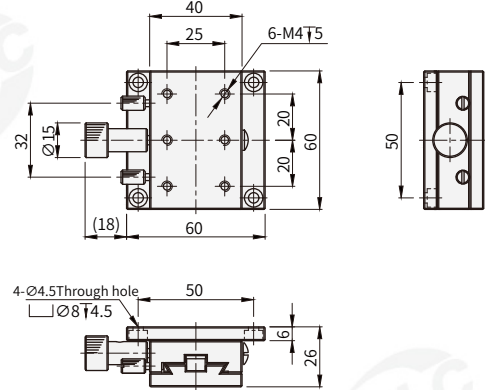
Code	Material	Surface treatment	Feed type	Transmission direction	Guide rail form	CPR
BYTJ	Aluminum alloy	Black anodized	Rack and pinion driven type	X axis	Dovetail	Economical

☉ If the flatness of the parts mounted on the bottom or top surface of the slide is insufficient, the product may not perform as it should (reference standard for flatness: within 10μm)

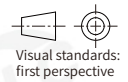
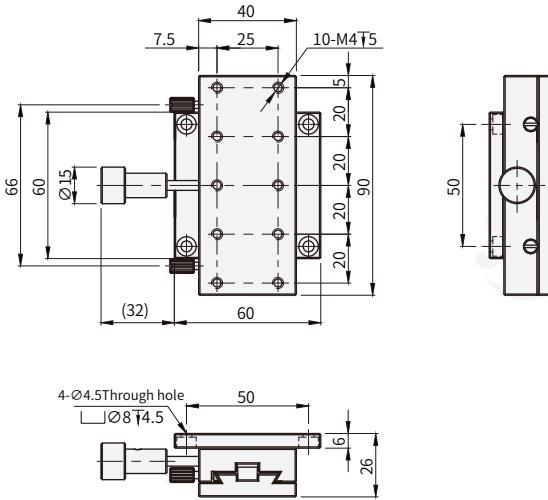
Specification: 50



Specification: 60



Specification: 90



Model		Countertop size (mm)	Stroke (mm)	Minimum reading of the scale (mm)	Parallelism (μm)	Movement for 1 turn of knob (mm)	Load-bearing (Kgf)	Body weight (Kg)
Code	Specification ①							
BYTJ	50	30x50	±15	0.1	40	18	2	0.11
	60	40x60	±21					0.28
	90	40x90	±35					0.4