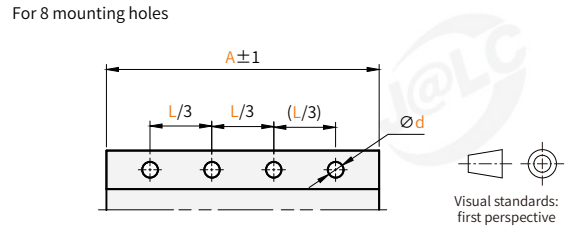
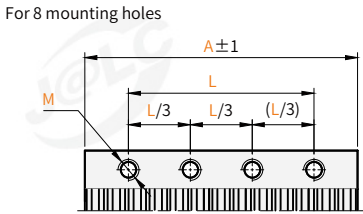
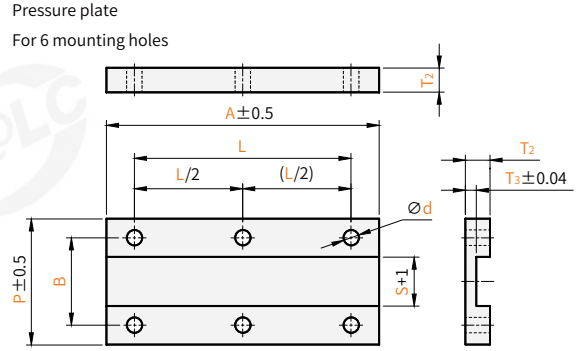
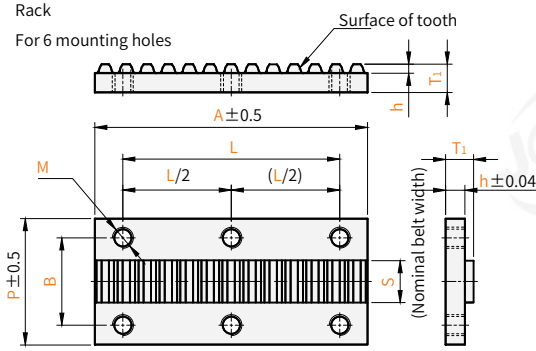


C    DT J    -    XL    -    025  
 Major category    Series    -    Nominal belt width  
 Order guide    Category    1 Belt type  
 Please refer to the series code to select the type and parameters for ordering.

Code	Mounting type	Material	Surface treatment	Accessory
CDTJ	Overpressure prevention	Aluminum alloy	Natural color anodizin	Hexagon socket head bolt



Visual standards:  
first perspective

Synchronous Belt

Code	Model		S	A	B	T <sub>1</sub>	T <sub>2</sub>	T <sub>3</sub>	h	L	P	M	d	Attachment bolts	Mounting holes	
	Belt type 1	Nominal belt width 2														
CDTJ (Rack+Pressure plate)	XL	025	6.4		13						24.5					
		037	9.5	66.5	16	6	4.5	2.10	1.30	56	26.5	M4	4.4	M4-12	6	
		050	12.7		20						30.5					
	L	050	12.7		21						32.5					
		075	19.1	124.5	27	8	5.5	3.33	2.05	111	38.5			M5-L15		
		100	25.4		34						46.5					
	H	075	19.1		27						38.5	M5	5.4		8	
		100	25.4	165.5	34	10	6.5	4.15	2.55	147	46.5			M5-15		
		150	38.1		46						58.5					
	S3M	200	50.8		59						70.5					
		060	6	39.5	11	4	3.5	1.94	1.25	31	18.5	M3	3.4	M3-8		
	S5M	100	10		17						26.5					
		150	15	65.5	22	6	5.5	3.14	2.00	51	32.5	M4	4.4	M4-12	6	
		250	25		32						42.5					
	S8M	150	15		23						34.5					
		250	25	104.5	33	8	6.5	4.72	3.00	84	44.5	M5	5.4	M5-15	8	
		300	30		38						50.5					
	T5	400	40		48						60.5					
		100	10		17						26.5					
		150	15	65.5	22	6	4.5	2.20	1.40	51	32.5	M4	4.4	M4-12	6	
	T10	200	20		27						38.5					
		250	25		32						43.5					
		150	15		23						34.5					
	T10	200	20		28						40.5					
250		25	130.5	33	8	6.5	4.30	2.70	111	44.5	M5	5.4	M5-15	8		
300		30		38						50.5						
400		40		48						60.5						
		500	50		58					70.5						