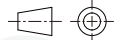
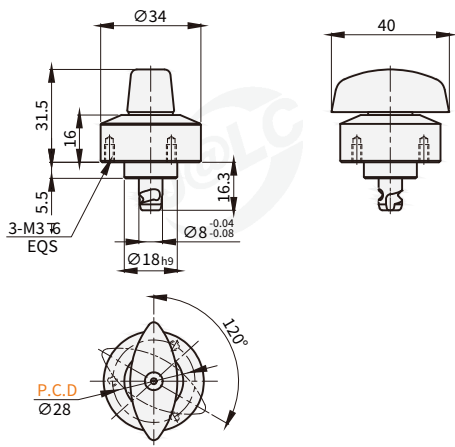


D F A D - 10

Big category (Series) Order guide (Category) 1 Specification

Please refer to the series code to select the type and parameters for ordering.

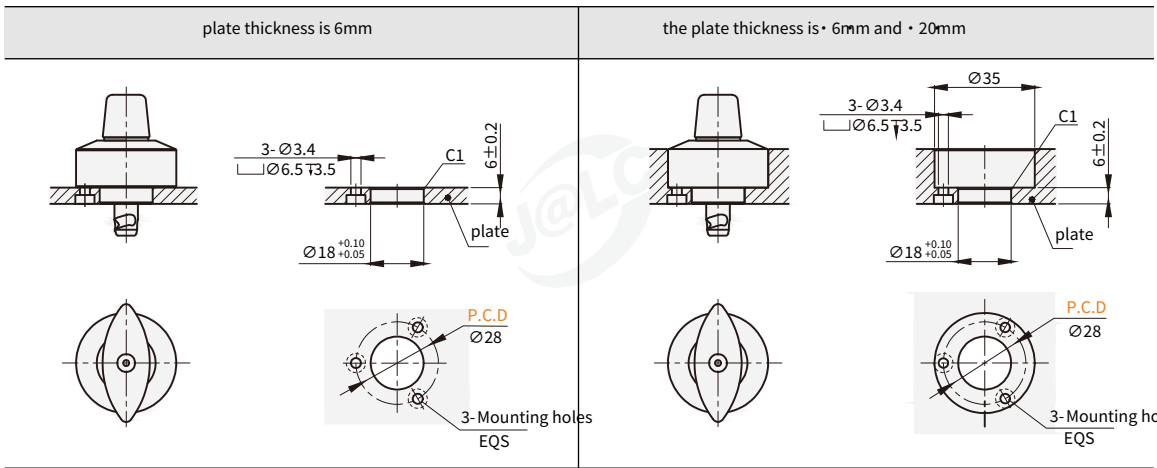
| Code | Type | Locking method | Material | | Accessories |
|------|-------------|----------------|----------|-------|--------------------------|
| | | | Ontology | Knob | |
| DFAD | Normal type | Powerful | SUS303 | SUS13 | Hexagon socket bolt 3pcs |



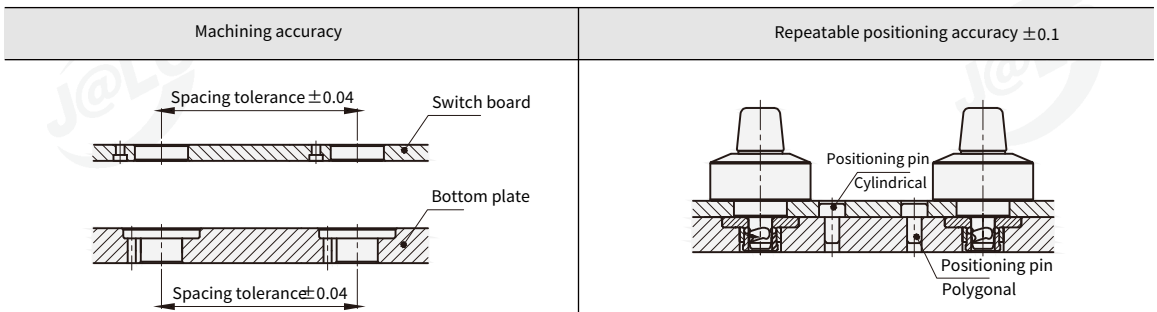
Perspective standard: first perspective

| Model | | Applicable plate thickness | Clamping force(N) | Shear strength(N) | Tensile strength(N) | Applicable cam set |
|-------|-----------------|----------------------------|-------------------|-------------------|---------------------|--------------------|
| Code | Specification 1 | | | | | |
| DFAD | 20 | 6~20 | 400 | 4800 | 1600 | DFAE-9 |

Installation method



Machining accuracy and repeatable positioning accuracy



The spacing tolerance between the exchange plate and the base plate should be processed according to 0.04

When high precise positioning is required, please use in combination with a positioning pin

Connections

