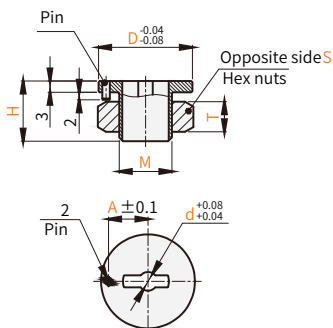


Order guide: **D** Major category | **FA** Series | **F** Category | **- A1** Type | **- 10** Specification

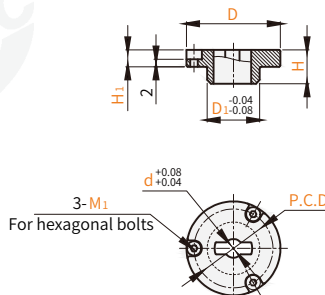
Please refer to the series code to select the type and parameters for ordering.

Code	Type	Type 1	Material	ST
DFAF-A1	Quick-install bushing	Sheet mount	Stainless steel	—
DFAF-A2	Quick-install bushing	Guide mount	Stainless steel	Nickel plated

Sheet mounting
DFAF-A1



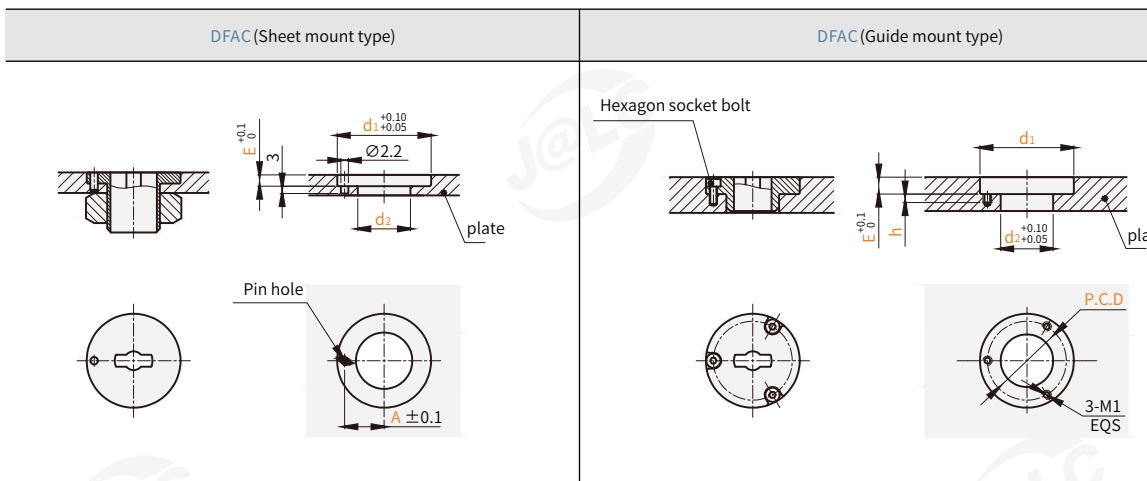
Sheet mounting
DFAF-A2



Perspective standard: first perspective

Model		Applicable plate thickness	d	D	H	A	M (fine tooth)	T	S	D ₁	H ₁	M ₁	P.C.D	For quick locker
Code	Specification 2													
DFAF-A1	10	6~10	5	25	16	10.5	M14x1.5	8	22	-	-	-	-	DFA C-10
	12	6~12	8	32	18	13	M20x1.5	10	30	-	-	-	-	DFA C-14 DFA C-20
DFAF-A2	10	> 10	5	25	9	-	-	-	-	14	4.5	M2	21	DFA C-10
	12	> 12	8	32	11	-	-	-	-	20	5.5	M3	26	DFA C-14 DFA C-20

Installation method



Dimension table of installation method

Model		Applicable plate thickness	d ₁	d ₂	A	E	M ₁	h	P.C.D
Code	Specification 2								
DFAF-A1	10	6~10	25	15	10.5	3.5	—	—	—
	12	6~12	32	21	13	—	—	—	—
DFAF-A2	10	>10	26	14	—	5	M2	4	21
	12	>12	33	20	—	6	M3	5	26

Connections