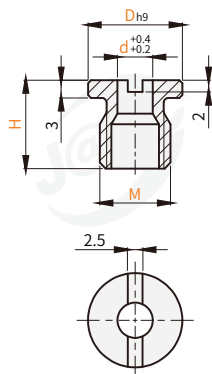


Order guide: **D** (Major category) **FA** (Category) **K** (Series) **- C2** (Specification) **- 12** (Material)

Please refer to the series code to select the type and parameters for ordering.

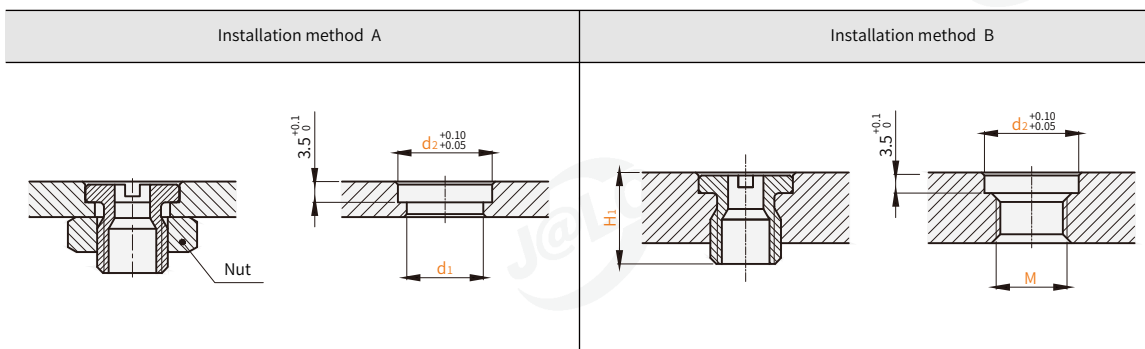
Code	Type	Material ①	ST
DFA K-C2	Lock sleeve	S45C	Nickel plated
DFA K-S3		SUS303	—



Perspective standard:
first perspective

Model		Applicable plate thickness	d	D	M(Fine tooth)	H	Weight(g)	Applicable button type locker
Code	Specification ②							
DFA K-C2	12	Above 6	6	16	M12x1.5	15	9	DFAJ-C2-Y1-10/DFAJ-S3-Y1-10
DFA K-S3	16		10	20	M16x1.5	17	13	DFAJ-C2-Y1-16/DFAJ-S3-Y1-16

Installation method



Installation method dimension table

Model		Applicable plate thickness	INST method	M	d ₁	d ₂	H ₁	Standard nut
Code	Specification ②							
DFA K-C2	12	6-10	A	—	13	—	—	M12x1.5(Fine tooth)
		>10	B	M12x 1.5(Fine tooth)	—	16	15.5	—
DFA K-S3	16	6-10	A	—	17	—	—	M16x1.5 (Fine tooth)
		>10	B	M16x1.5 (Fine tooth)	—	20	17.5	—

Connections