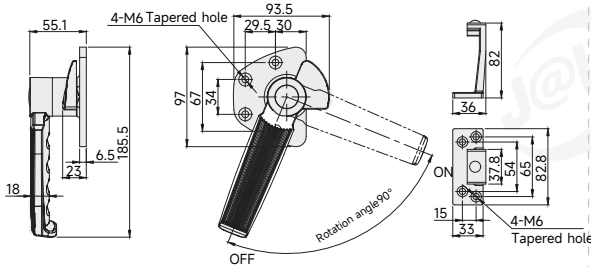


**D MK F - R - 140A - Y**  
 Major category Series Specification  
 Order guide Category 1 Plug-in form 3 Dust-proof  
 Please refer to the series code to select the type and parameters for ordering.

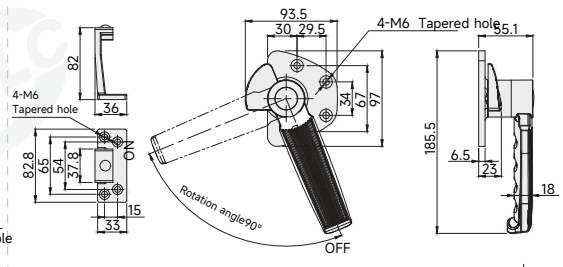
**○Silent type**

Code	Type	Plug-in form 1	Material	Surface treatment
<b>DMKE-L</b>	Silent type	Left pull-out	SUS304	Wire drawing
<b>DMKE-R</b>		Right pull-out		

**Left pull-out  
DMKE-L**



**Right pull-out  
DMKE-R**



Perspective standard: first perspective

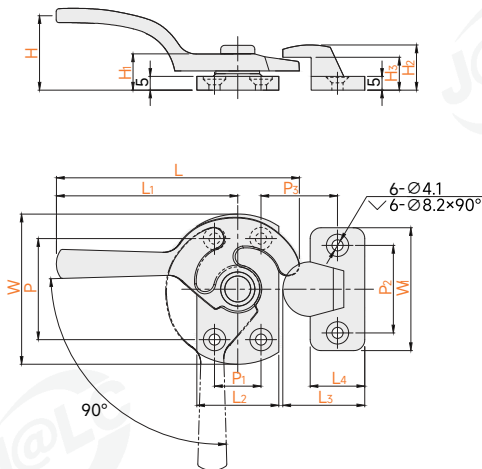
Model		Reference weight (kg/pcs)
Code	Specification 2	
<b>DMKE-L</b>	<b>185</b>	0.16
<b>DMKE-R</b>		

**○Fastening type**

Code	Type	Plug-in form 1	Material	Surface treatment
<b>DMKF-L</b>	Fastening type	Left pull-out	SUS304	Mirror reflection
<b>DMKF-R</b>		Right pull-out		

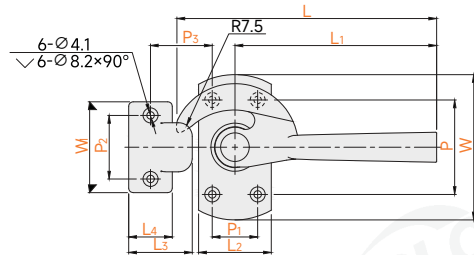
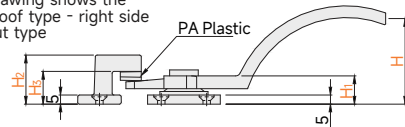
**L:89/113/125/140/170**

The illustration shows the left side pull-out type



**L:140A**

The drawing shows the dustproof type - right side pull-out type



Perspective standard: first perspective

Model		Dust-proof 3	L	L1	L2	L3	L4	W	Wt	H	H1	H2	H3	P	P1	P2	P3	Ref. weight (kg/pcs)
Code	Specification 2																	
<b>DMKF-L</b> <b>DMKF-R</b>	<b>89</b>	No designation (without dust-proof)	89	65.5	30	30	20	55	45	29	12.5	14.5	10	37	17	32	28	0.16
	<b>113</b>		113	85.5	60	60	45	39	13	40	20	32	28	0.204				
	<b>125</b>		125	98	32	31.5	23	65	50	39	14	17	11	43	22	35	30	0.22
	<b>140</b>		140	109	40	35	24	80	50	45	14.5	18	13	52	25	34	34	0.30
	<b>170</b>		170	127	45	40	28	90	52	49	16.8	19	14.5	70	34	40	43	0.46
	<b>140A</b>	Y (with dust-proof)	140A	109	40	35	24	80	50	45	14.5	27	18	52	25	35	34	0.36