

D
MS
T
-
A

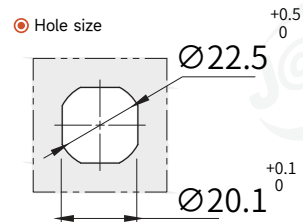
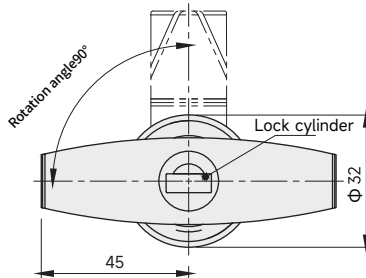
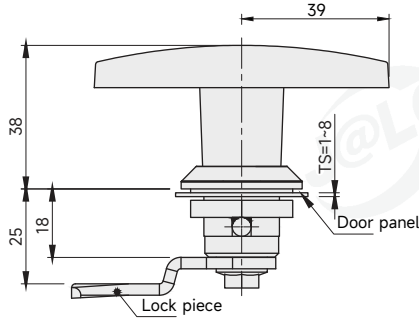
Major category
Series
① Lock cylindertype

Order guide

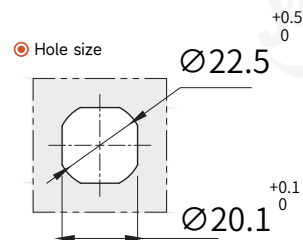
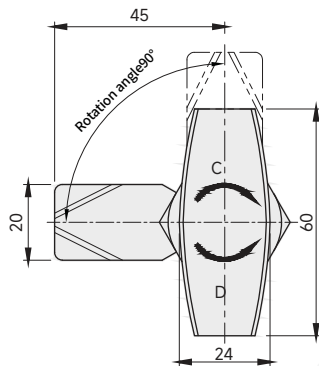
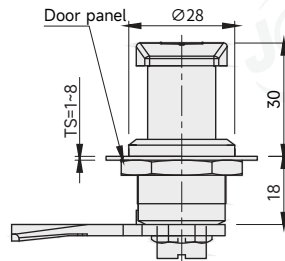
Please refer to the series code to select the type and parameters for ordering.

Code	Lock cylinder	Material		Surface treatment	
		Main body	Lock piece	Main body	Lock piece
DMST-A	With lock cylinder	ZDC	Q235	Spray black	Galvanized
DMST-B	Without lock cylinder				

With lock cylinder
DMST-A



Without cylinder
DMST-B



Perspective standard:
first perspective