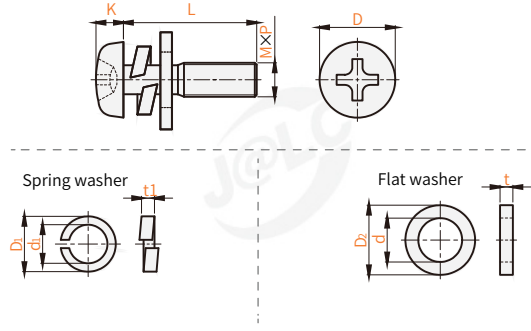


E (Major category)
 AB (Category)
 B (Series)
 S1 (1 Body material)
 W (2 Surface treatment)
 M3 (3 Specification)
 L6 (4 Length)

Order guide

⊙ Please refer to the series code to select the type and parameters for ordering.

Code	Type		Thread	Body material ①	ST ②	Strength rating
EABB-S1W	Combination type	With flat washer, spring washer	Coarse teeth	SUS304	-	A2-70



Perspective standard:
 first perspective

Model		L ④	Pitch	D	K	Spring washer			Flat washer		
Code	M ③					D ₁	d ₁	t ₁	D ₂	d	t
EABB-S1W	3	6 8 10 12 16 18 20 25 30 35 40 45 50	0.5	5.6	2.4	5.43	2.83	0.9	7	2.78	0.5
	4	6 8 10 12 16 18 20 25 30 35 40 45 50 60	0.7	8	3.1	6.2	3.75	1.2	9	3.72	0.8
	5	8 10 12 16 18 20 25 30 35 40 45 50	0.8	9.5	3.7	8.3	4.7	1.4	10	4.66	1
	6	10 12 16 18 20 25 30 35 40 45 50	1.0	12	4.6	10.3	5.7	1.7	12	5.62	1.6
	8	16 18 20 25 30 35 40	1.25	16	6	12.3	7.6	2.1	16	7.53	2