

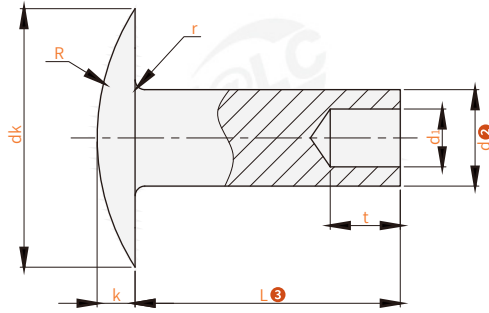
Order guide

E Major category | MJ Category | H - S1 Series | d1.4 Diameter | L3 Length

1 Material | 2 Diameter | 3 Length

Please refer to the series code to select the type and parameters for ordering.

Code	Standard No.	Material <sup>1</sup>
EMJH-S1		SUS304
EMJH-A	GB873-1986	Aluminum



Rivet

Model	L <sup>3</sup>																																					
Code	d <sup>2</sup>																																					
EMJH-S1 EMJH-A	1.4	2	2.5	3	3.5	4	5	6	7	8																												
	2	2	2.5	3	3.5	4	5	6	7	8	9	10	11	12	13																							
	2.5		3	3.5	4	5	6	7	8	9	10	11	12	13	14	15	16																					
	3			3.5	4	5	6	7	8	9	10	11	12	13	14	15	16	17	18	19	20	22	24	26	28	30												
	4				5	6	7	8	9	10	11	12	13	14	15	16	17	18	19	20	22	24	26	28	30	32	34	36	38									
	5					6	7	8	9	10	11	12	13	14	15	16	17	18	19	20	22	24	26	28	30	32	34	36	38	40	42	44						
	6						7	8	9	10	11	12	13	14	15	16	17	18	19	20	22	24	26	28	30	32	34	36	38	40	42	44	46					
	8							9	10	11	12	13	14	15	16	17	18	19	20	22	24	26	28	30	32	34	36	38	40	42	44	46	48					
	10								10	11	12	13	14	15	16	17	18	19	20	22	24	26	28	30	32	34	36	38	40	42	44	46	48	50				

Model Code	dk		Hole diameter	K		d <sub>1</sub>		t		r	R
	Min. value	Max. value		Min. value	Max. value	Min. value	Max. value	Min. value	Max. value		
EMJH-S1 EMJH-A	2.6	3	1.5	0.5	0.7	0.65	0.77	0.96	1.44	0.1	1.9
	3.76	4.24	2.1	0.7	0.9	0.94	1.22	1.76	2.24		2.9
	4.76	5.24	2.6			1.44	1.62	2.26	2.74		4.3
	5.76	6.24	3.1	0.8	1.2	1.94	2.12	2.76	3.24		5
	7.71	8.29	4.1	1.1	1.5	2.44	2.62	3.71	4.29		6.8
	9.71	10.29	5.2	1.5	1.9	3.42	3.66	4.71	5.29		8.7
	11.65	12.35	6.2	2	2.4	4.42	4.66	5.71	6.29	0.3	9.3
	15.65	16.35	8.2	2.8	3.2	5.92	6.16	7.65	8.35		12.2
	19.58	20.42	10.3	3.76	4.24	7.4	7.7	9.65	10.35		14.5