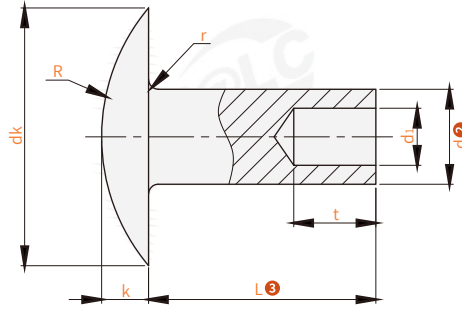


E (Major category) MJ (Category) K (Series) S1 (Material) - d1.4 (Diameter) - L3 (Length)

Order guide: **1** Material **2** Diameter **3** Length

Please refer to the series code to select the type and parameters for ordering.

Code	Standard No.	Material 1
EMJK-S1		SUS304
EMJK-A	GB1014-1986	Aluminum



Perspective standard:
 first perspective

Model		L 3																		
Code	d 2																			
EMJK-S1 EMJK-A	2	4	5	6	7	8	9	10	12	14										
	2.5	5	6	7	8	9	10	12	14	16										
	3	6	8	10	12	14	16	18												
	4	8	10	12	14	16	18	20	22	24										
	5	10	12	14	16	18	20	22	24	26	28	30	32	34	36	38	40			
	6	12	14	16	18	20	22	24	26	28	30	32	34	36	38	40				
8	14	16	18	20	22	24	26	28	30	32	34	36	38	40						

Code	dk		Hole diameter dh	K		d1		t		r	R
	Min. value	Max. value		Min. value	Max. value	Min. value	Max. value	Min. value	Max. value		
EMJK-S1 EMJK-A	4.56	5.04	2.1	0.8	1	0.94	1.12	1.76	2.24		3.6
	5.91	6.49	2.6	1	1.4	1.44	1.62	2.26	2.74	0.1	4.7
	6.91	7.49	3.1	1.2	1.6	1.94	2.12	2.76	3.24		5.4
	9.31	9.89	4.1	1.7	2.1	2.44	2.52	3.71	4.29		7.3
	11.75	12.45	5.2	2.2	2.6	3.42	3.46	4.71	5.29	0.3	9.1
	14.15	14.85	6.2	2.6	3	4.42	4.16	5.71	6.29		10.9
19.08	19.92	8.2	3.66	4.14	5.92	4.66	7.65	8.35		14.5	

Rivet