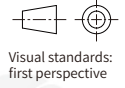
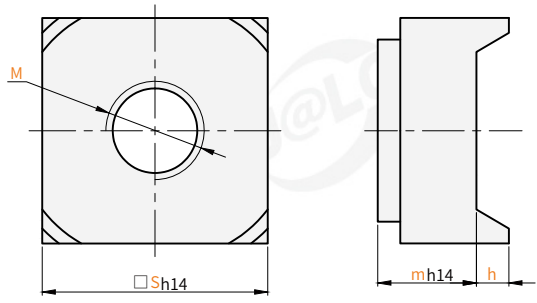




**E** Major category | **ML** Category | **S** Series | **M** Specification

Order guide  
 Please refer to the series code to select the type and parameters for ordering.

| Code        | Type     | Thread        | Material | Surface treatment | Applicable standard |
|-------------|----------|---------------|----------|-------------------|---------------------|
| <b>EMLS</b> | Weld nut | Coarse thread | SUS304   | —                 | DIN 928-1983        |



| Code        | Model |     | S  | m   | h   |
|-------------|-------|-----|----|-----|-----|
|             |       | M 1 |    |     |     |
| <b>EMLS</b> |       | 4   | 7  | 3.5 | 0.7 |
|             |       | 5   | 9  | 4.2 | 0.9 |
|             |       | 6   | 10 | 5   | 1.1 |
|             |       | 8   | 14 | 6.5 | 1.3 |
|             |       | 10  | 17 | 8   | 1.3 |