

LC-RMBFR - D5 - L20 - F10

Order guide ① Shaft Diameter ② Length ③ Thread Length

④ Please refer to the series code to select the type and parameters for ordering.

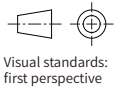
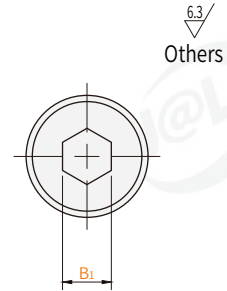
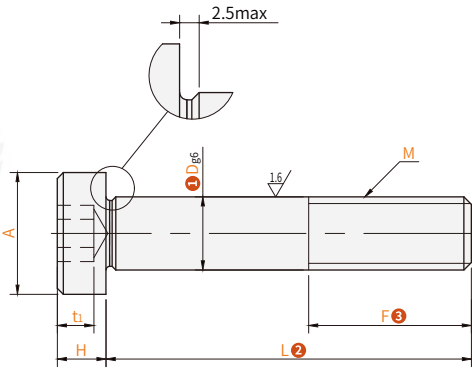
LC-RMBFR - M3 - L3 - F3

Order guide ④ Thread Diameter ② Length ③ Thread Length

④ Please refer to the series code to select the type and parameters for ordering.

Hex-Socket Pin Bolt

Code	Main Material	Surface Treatment
LC-RMBFR	S45C	Blackened
LC-SRMBFR	SUS304	—

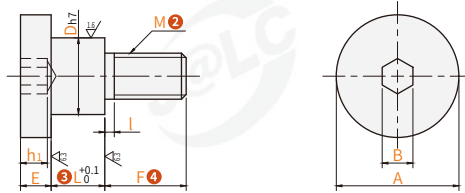


Model		Nominal Unit 1mm			g6	M (Coarse Thread)	B	B ₁	(C)	A	H	t max.	t ₁ max.	d min.	a
Code	D ^①	L ^②	F ^③												
LC-RMBFR	5	20~29	M ≤ F ≤ 11.0	-0.004	M5	10	3	11.5	8.5	3.5	2.7	2.4	9	0.5	
	6	20~35		-0.012	M6										4
LC-SRMBFR	8	20~38		-0.005	M8	13	5	15	13	5	3.8	3.75	10.4		

Bolts

Hex-Socket Pin Bolt

Code	Main Material	Surface Treatment
LC-DBB	S45C	Blackened
LC-DBS	SUS304	—



Visual standards:
first perspective

Model		L ³	F ⁴				E	Dh7	A	B	I	h1
Code	M ²											
LC-DBB	3	3	3	4	5	6						
		4	3	4	5	6						
		5	3	4	5	6						
	3	6	3	4	5	6	2	5	8	2	1	2
		7		4	5	6						
		8		4	5	6						
LC-DBS	3	3	4	5	6	8						
		4	4	5	6	8						
		5	4	5	6	8						
	4	6	4	5	6	8	2.8	6	10	2.5	1.2	2.5
		7		4	5	6	8					
		8		4	5	6						
		10			6	8						

Model		L ³	F ⁴				E	Dh7	A	B	I	h1
Code	M ²											
LC-DBB	3	3	5	8	10							
		4	5	8	10							
		5	5	5	8	10						
	5	6	5	8	10	3.5	8	12	3	1.4	3	
		7	5	8	10							
		8	5	8	10							
LC-DBS	3	3	8	10	12							
		4	8	10	12							
		5	8	10	12							
	6	6	8	10	12	4	10	16	4	1.5	3.5	
		7	8	10	12							
10	8	10	12									

Bolts