

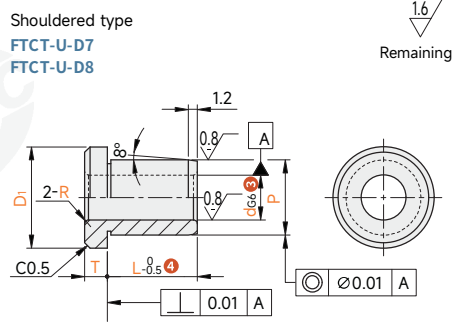
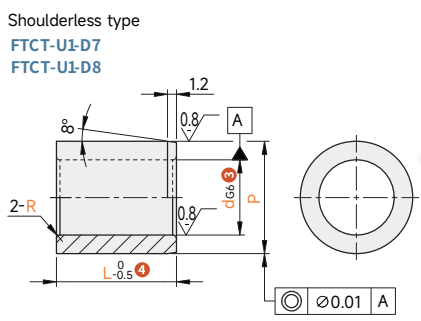
F TC T - U1 - D7 - d5 - L5

Major category | Series | Tolerance class | Length

Order guide: Category 1 Shoulder shape | 3 Diameter

Ⓜ Please refer to the series code to select the type and parameters for ordering.

Code	Shoulder shape ①	Tolerance class ②	Material
FTCT-U1-D7	Shoulderless	Pp6	High strength brass
FTCT-U1-D8	Shoulderless	Pm6	
FTCT-U-D7	Shouldered	Pp6	High strength brass
FTCT-U-D8		Pm6	



Perspective standard: first perspective

Code	Model		L ④							R	P	P Tolerance		With shoulder type			
	d5 ⑤	d6 ⑥	5	6	8	10	12	15	16			20	25	30	35	p6	6
Shoulderless FTCT-U1-D7 FTCT-U1-D8	5	+0.012	5	6	8	10	12	15			0.5	10	+0.024 +0.015	+0.015 +0.006	13.5	3	
	6	+0.004	5	6	8	10	12	15	16			12				15.5	
	8	+0.014	5	6	8	10	12	15	16	20		15	+0.029 +0.018	+0.018 +0.007	18.5	4	
	10	+0.005	6	8	10	12	15	16	20	25		18			21.5		
Shouldered type FTCT-U-D7 FTCT-U-D8	12			8	10	12	15	16	20	25	30						
	13	+0.017			10	12	15	16	20	25	30		1	22		25.5	
	15	+0.006			12	15	16	20	25	30			25	+0.035 +0.022	+0.021 +0.008	29.5	5
	16				12	15	16	20	25	30			26			34.5	
	20	+0.020			12	15	16	20	25	30		15	30	+0.042 +0.024	+0.025 +0.009	39.5	6
	25	+0.007					16	20	25	30	35						

Bushings for Fixture & Positioning Pin