

**G** Major category | **CY** Category | **C - AFC - 2000** Series | **2000** Specification

Order guide: 1 Series, 2 Specification

Please refer to the series code to select the type and parameters for ordering.

**G** Major category | **CY** Category | **D - AC2010 - 02 A** Series | **02 A** Pipe thread

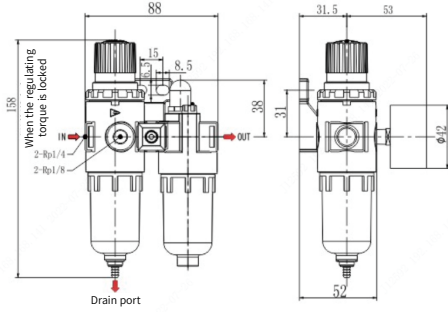
Order guide: 2 Specification, 3 Pipe thread, 4 Drainage method

Please refer to the series code to select the type and parameters for ordering.

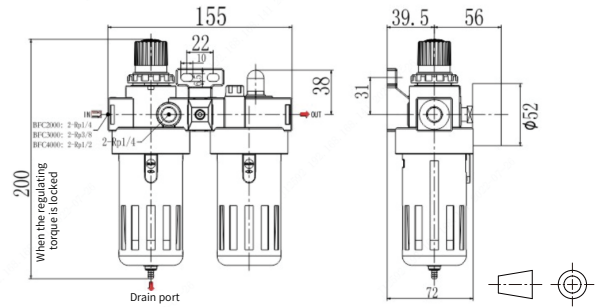
Size fixed type

Code	Type	Material				Use fluid	Components
		Main body	Container	Protective Cover	Filter		
GCYC	Duplex assembly	Aluminum alloy	PC	Iron	Copper	Filtered compressed air	Air Filter+Air Regulator+Oil Mist

Specification 2000 without shield.  
Series: AFC (small type)



Series: BFC (small type)



Visual standards: first perspective

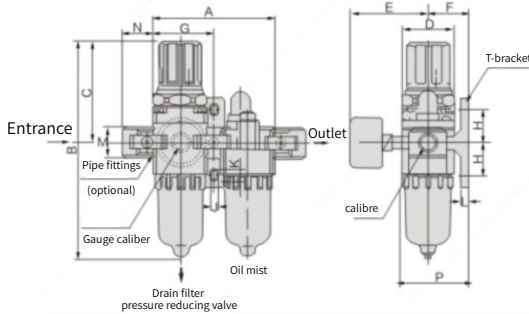
Code	Model Series	Speci- fication	Pipe thread	Teeth shape	Drainage method	Cartridge precision μm	Technical parameters					
							Water filter cup capacity(CC)	Giving water cup capacity (CC)	Guaranteed pressure resistance (Mpa)	Max. operating pressure(Mpa)	Pressure regulating range (Mpa)	Ambient temperature°C
GCYC	AFC (small)	2000	1/4	PT	Differential pressure drainage	40	15	25	1.5	1.0	0.15-0.9	-5~60 (unfrozen)
	BFC (medium)	2000	1/4				60	90				
		3000	3/8									
		4000	1/2									

Size selection type

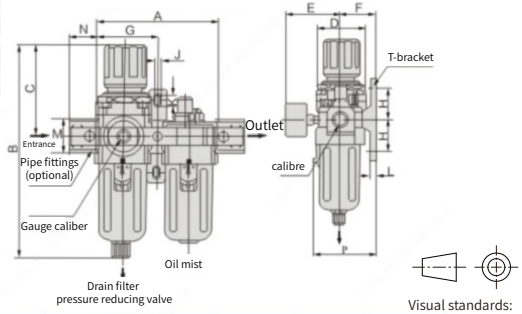
Code	Type	Material				Use fluid	Components
		Main body	Container	Protective Cover	Filter		
GCYD	Duplex assembly	Aluminum die-cast	PC	Iron	Copper	Filtered compressed air	Air Filter+Air Regulator+Oil Mist

Specification 2000 without shield.

Specification: AC2010



Specification: AC3010-5010



Visual standards: first perspective

Code	Model Specification	Pipe thread	Drainage method	Teeth shape	Cartridge precision μm	Pressure Gauge Caliber	Guaranteed pressure resistance (Mpa)	Max. operating pressure(Mpa)	Pressure regulating range (Mpa)	Rated flow rate(L/min)	Ambient temperature °C
AC3010	02 (1/4)	1700									
	03 (3/8)	3000									
AC4010	04 (1/2)	4000									
AC5010	06 (3/4)										

Code	Model Specification	Pipe thread	A	B		C	D	E	F	G	H	J	K	L	M	N	P
				Differential pressure drainage	Automatic drainage												
GCYD	AC2010	1/4	90	160	181	74	40	53	30	45	24	5.5	8.5	5	22	23	50
	AC3010	1/4 3/8	117	207	245	89	53	54.5	41	58.5	35	6	10	7	34	26	70
			155	259	276	109	70	60	49	77	40	9	13		42	33	86
	AC4010	3/4	165	263	281	111	70	66	51	82	40	9	13	8	48	36	88
AC5010	3/4 1	196	339	356	117	90	70	68	97.5	50	12	17	10	55	40	—	

Air source treatment unit