

G Major category | **CY** Category | **E - AFR -** Series | **2000** Specification

Order guide

① Series | ② Specification

④ Please refer to the series code to select the type and parameters for ordering.

G Major category | **CY** Category | **F - AW2000 -** Series | **02** Specification | **A** Drainage method

Order guide

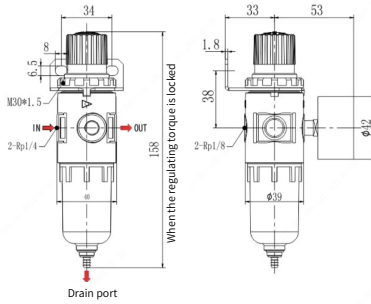
③ Pipe thread | ④ Drainage method

④ Please refer to the series code to select the type and parameters for ordering.

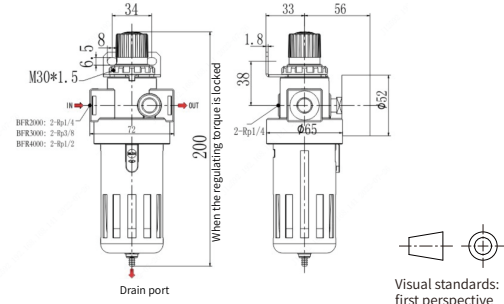
○ Size fixed type

Code	Type	Material				Use fluid
		Main body	Container	Protective Cover	Filter	
GCYE	Air regulator filter	Aluminum alloy	PC	Iron*	Copper	Filtered compressed air

○★Specification 2000 without shield.
Series: AFR (small type)



Series: BFR (medium type)



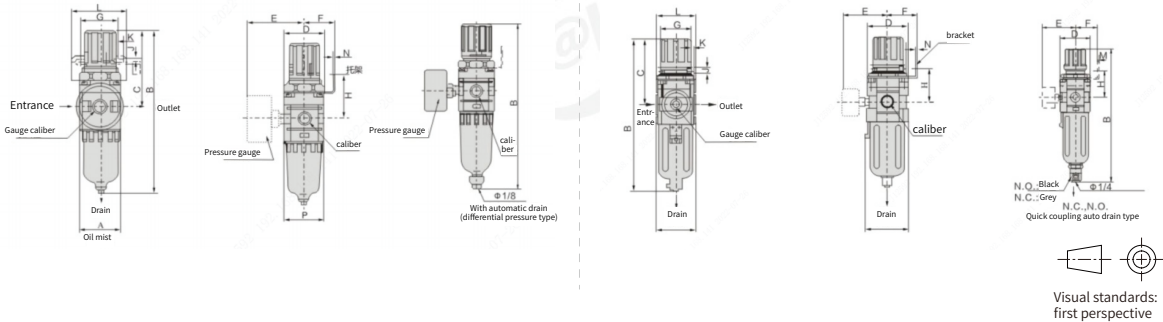
Code	Model Series ①	Specification ②	Pipe thread	Teeth shape	Drainage method	Cartridge precision μm	Technical parameters				
							Water filter cup capacity(CC)	Guaranteed pressure resistance (Mpa)	Max. operating pressure(Mpa)	Pressure regulating range (Mpa)	Ambient temperature $^{\circ}\text{C}$
GCYE	AFR (small) BFR (medium)	2000	1/4	PT	Differential pressure drainage	40	15	1.5	1.0	0.15-0.90	-5~60 (unfrozen)
		2000	1/4				60				
		3000	3/8								
		4000	1/2								

○ Size selection type

Code	Type	Material				Valve cover	Use fluid
		Main body	Container	Protective Cover	Filter		
GCYF	Air regulator filter	Aluminum die casting	PC	Iron*	Copper	Polyacetal(Specification 2000/3000) Aluminum die-cast parts (Specification 4000/5000)	Filtered compressed air

○★Specification 2000 without shield.

Specification: AW2000



Code	Model Specification ②	Pipe thread ③	Drainage method ④	Teeth shape	Cartridge precision μm	Pressure Gauge Caliber	Technical parameters					
							Guaranteed pressure resistance (Mpa)	Max. operating pressure(Mpa)	Pressure regulating range (Mpa)	Rated flow rate(L/min)	Ambient temperature $^{\circ}\text{C}$	
GCYF	AC2000	02 (1/4)	A (Differential pressure drainage)	PT	5	1/8"	1.5	1	0.05-0.85	4000	-5~60 (unfrozen)	
	AC3000	02 (1/4)										500
	AC4000	03 (3/8)										2000
		03 (3/8)										4000
	AC5000	06 (3/4)										4500
		10 (1)	5000									

Code	Model Specification ②	Pipe thread	A	B		C	D	E	F	G	H	J	K	L	M	N	P
				Differential pressure drainage	Automatic drainage												
GCYF	AW2000	1/4	40	160	181	74	40	53	33	33.5	43	5.5	15	55		33.5	40
	AW3000	1/4 3/8	53	207	245	89	53	54.5	41	36	47	6.5	11.5	54		42.5	55
		3/8 1/2	70	259	276	109	70	60			52	8.5			1.8		
	AW4000	3/4	75	263	281	111	70	66	49	53	56	8.5	10.5	70		52.5	73
AW5000	3/4 1	90	339	356	117	90	70			62	8.5						