

G Major category | **CY** Category | **E - AFR -** Series | **2000** Specification

Order guide
 ① Series | ② Specification
 Please refer to the series code to select the type and parameters for ordering.

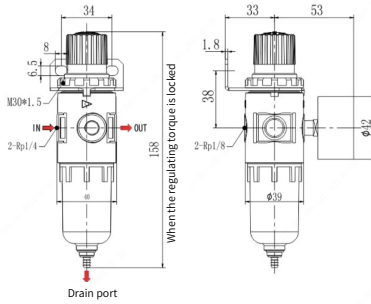
G Major category | **CY** Category | **F - AW2000 -** Series | **02** Pipe thread | **A** Drainage method

Order guide
 ③ Pipe thread | ④ Drainage method
 Please refer to the series code to select the type and parameters for ordering.

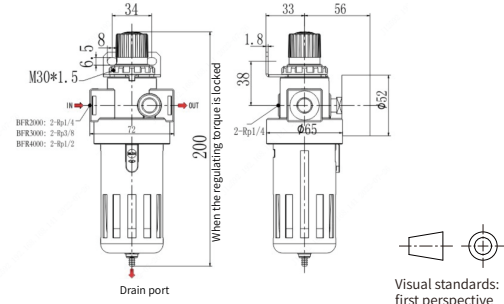
Size fixed type

Code	Type	Material				Use fluid
		Main body	Container	Protective Cover	Filter	
GCYE	Air regulator filter	Aluminum alloy	PC	Iron*	Copper	Filtered compressed air

★Specification 2000 without shield.
Series: AFR (small type)



Series: BFR (medium type)



Visual standards:
first perspective

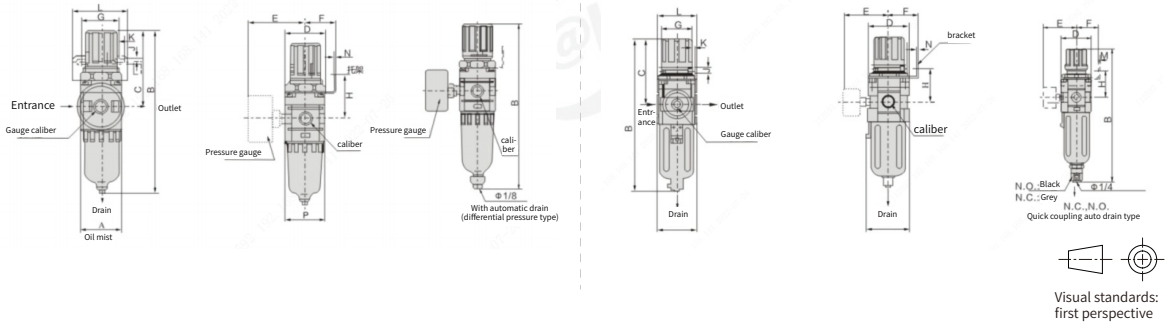
Code	Model		Pipe thread	Teeth shape	Drainage method	Cartridge precision μm	Technical parameters				
	Series ①	Speci- fication ②					Water filter cup capacity(CC)	Guaranteed pressure resistance (Mpa)	Max. operating pressure(Mpa)	Pressure regulating range (Mpa)	Ambient temperature°C
GCYE	AFR (small)	2000	1/4	PT	Differential pressure drainage	40	15	1.5	1.0	0.15-0.90	-5~60 (unfrozen)
		3000	3/8				60				
	BFR (medium)	2000	1/4				60				
		4000	1/2				60				

Size selection type

Code	Type	Material				Valve cover	Use fluid
		Main body	Container	Protective Cover	Filter		
GCYF	Air regulator filter	Aluminum die casting	PC	Iron*	Copper	Polyacetal(Specification 2000/3000) Aluminum die-cast parts (Specification 4000/5000)	Filtered compressed air

★Specification 2000 without shield.

Specification: AW2000



Code	Model		Pipe thread ③	Drainage method ④	Teeth shape	Cartridge precision μm	Pressure Gauge Caliber	Technical parameters							
	Specification ②	Pipe thread						Guaranteed pressure resistance (Mpa)	Max. operating pressure(Mpa)	Pressure regulating range (Mpa)	Rated flow rate(L/min)	Ambient temperature °C			
GCYF	AC2000	02 (1/4)	A (Differential pressure drainage)	PT	5	1.5	1	0.05-0.85	500	-5~60 (unfrozen)	40				
												AC3000	03 (3/8)	2000	
	AC4000	04 (1/2)													4000
	AC5000	10 (1)										5000			

Code	Model		Pipe thread	A	B		C	D	E	F	G	H	J	K	L	M	N	P
	Specification ②	Pipe thread			Differential pressure drainage	Automatic drainage												
GCYF	AW2000	1/4	40	160	181	74	40	53	33	33.5	43	5.5	15	55	1.8	33.5	40	
																		AW3000
	AW4000	3/8 1/2	70	259	276	109	70	60	66	49	53	56	8.5	10.5		70	52.5	
																		AW5000