

G CY I - AR 2000

Major category: G, Series: CY I, Specification: AR 2000

Order guide: Major category (G), Category (CY I), Series (AR 2000)

Please refer to the series code to select the type and parameters for ordering.

G CY J -AR2000 02

Major category: G, Series: CY J, Pipe thread: AR2000 02

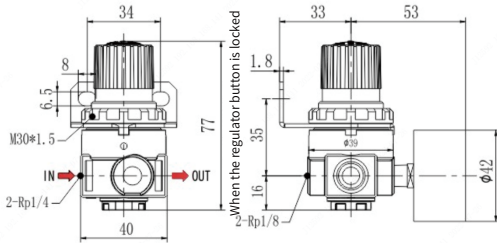
Order guide: Major category (G), Category (CY J), Specification (AR2000 02)

Please refer to the series code to select the type and parameters for ordering.

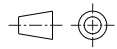
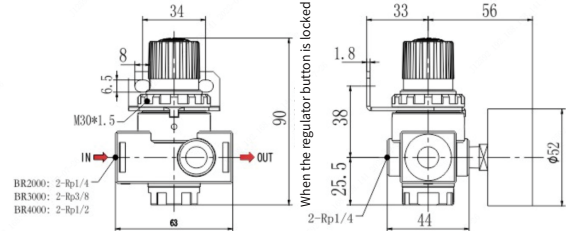
○ Size fixed type

Code	Type	Material	Use fluid
		Main body	
GCYI	Air regulator	Aluminum alloy	Filtered compressed air

Series: AR (small type)



Series: BR (medium type)

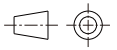
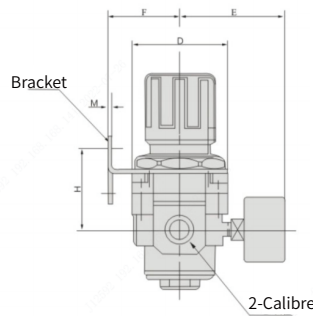
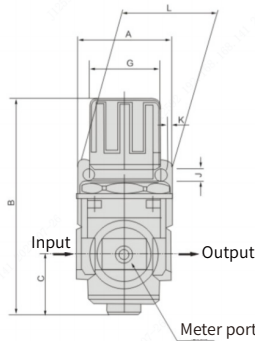


Visual standards: first perspective

Model		Specification	Pipe thread	Teeth shape	Technical parameters			
Code	Series				Guaranteed pressure resistant (Mpa)	Max. operating pressure (Mpa)	Pressure regulating range (Mpa)	Ambient temperature °C
GCYI	AR (Small)	2000	1/4	PT	1.5	1	0.05~0.90	-5~60°C (unfrozen)
	BR (Medium)	3000	3/8					
		4000	1/2					

○ Size selection type

Code	Code	Material		Use fluid
		Main body	Valve cover	
GCYJ	Air regulator	Aluminum die casting	Polyacetal (Specification 2000/3000) Aluminum die-cast parts (Specification 400/5000)	Filtered compressed air



Visual standards: first perspective

Code	Model		Teeth shape	Pressure Gauge Caliber	Guaranteed pressure resistant (Mpa)	Max. operating pressure (Mpa)	Pressure regulating range (Mpa)	Rated flow rate (L/min)	Ambient temperature °C
	Specification	Pipe thread							
GCYJ	AR2000	02 (1/4)	PT	1/8"	1.5	1	0.05~0.85	550	-5~60 (unfrozen)
		02 (1/4)							
		03 (3/8)							
	AR3000	03 (3/8)		1/4"				2500	
		04 (1/2)							
		06 (3/4)							
AR4000	06 (3/4)	8000							
	10 (1)								

Code	Model		Pipe thread		A	B	C	D	E	F	G	H	J	K	L	M	N
	Specification																
GCYJ	AR2000	1/4		40	92	17	40	53	30	33.5	43	5.5	15	55		33.5	
	AR3000	1/4	3/8	53	123.5	35	53	54.5	41	46	46	6.5	11.5	54		42.5	
		3/8	1/2	70	145.5	37.5	70	60			52						
	AR4000	3/4		75	150	38.5		66		49	53	56	8.5	10.5	70	1.8	52.5
3/4		1	90	165	48	90	70			62							