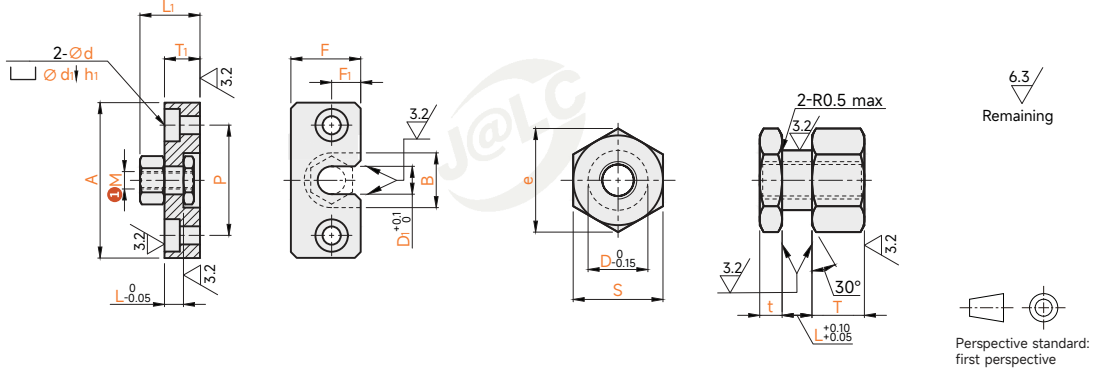


Order guide  
**G** Major category  
**PJ** series  
**L - M3 - 0.5** category  
**2** Pitch  
**1** Thread size

⊙ Please refer to the series code to select the type and parameters for ordering.

⊙ Internal thread

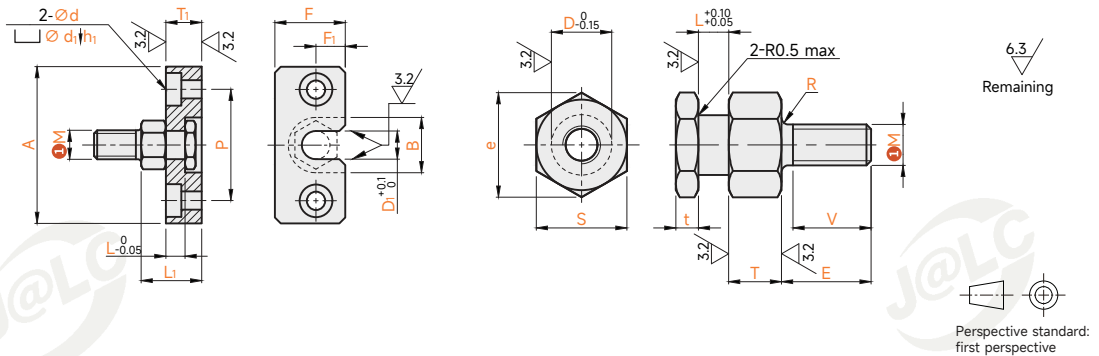
| Code | Feature            | Cylinder side connection | Material | ST                  | Surface hardness |
|------|--------------------|--------------------------|----------|---------------------|------------------|
| GPJL | Cylinder connector | Internal thread          | S45C     | Hard chrome plating | HRC10-           |



| Code | Model |       | Cylinder connector |    |    |    |      |      |                |    | Fixing holder  |    |    |                |     |      |                |                |                |
|------|-------|-------|--------------------|----|----|----|------|------|----------------|----|----------------|----|----|----------------|-----|------|----------------|----------------|----------------|
|      | M     | Pitch | L                  | D  | T  | t  | S    | e    | D <sub>1</sub> | B  | T <sub>i</sub> | A  | F  | F <sub>1</sub> | P   | d    | d <sub>1</sub> | h <sub>1</sub> | L <sub>1</sub> |
| GPJL | 3     | 0.5   | 4                  | 6  | 5  | 3  | 8    | 9.2  | 6.5            | 12 | 8              | 34 | 13 | 5              | 24  | 4.5  | 8.0            | 4.4            | 13             |
|      | 4     | 0.7   |                    | 7  | 6  |    | 10   | 11.5 | 8              | 14 |                | 36 | 15 | 6              | 26  |      |                |                |                |
|      | 5     | 0.8   |                    | 8  | 7  |    | 12   | 13.9 | 9              | 17 |                | 10 | 42 | 18             | 7   |      |                |                |                |
|      | 6     | 1.0   | 6                  | 10 | 8  | 4  | 14   | 16.2 | 11             | 19 | 11             | 44 | 20 | 8              | 32  | 5.5  | 9.5            | 5.4            | 17             |
|      | 8     | 1.25  |                    | 13 | 9  |    | 17   | 19.6 | 14             | 23 | 13             | 52 | 24 | 10             | 38  |      |                |                |                |
|      | 10    | 1.25  | 8                  | 16 | 11 | 21 | 24.2 | 18   | 28             | 13 | 56             | 30 | 12 | 42             | 6.6 | 11.0 | 6.5            | 22             |                |
|      | 14    | 1.5   | 12                 | 21 | 13 | 26 | 30.0 | 23   | 34             | 17 | 70             | 36 | 15 | 52             | 9   | 14.0 | 8.6            | 30             |                |
| 18   | 1.5   | 15    | 25                 | 15 | 5  | 30 | 34.6 | 27   | 38             | 21 | 84             | 43 | 19 | 62             | 11  | 17.0 | 10.5           | 36             |                |

⊙ External thread

| Code | Cylinder side connection | Material | ST                  | Surface hardness |
|------|--------------------------|----------|---------------------|------------------|
| GPJT | External thread          | S45C     | Hard chrome plating | HRC10-           |



| Code | Model |       | Cylinder connector |    |    |    |    |      |     |      | Fixing holder |                |     |                |    |    |                |      |     |                |                |                |    |
|------|-------|-------|--------------------|----|----|----|----|------|-----|------|---------------|----------------|-----|----------------|----|----|----------------|------|-----|----------------|----------------|----------------|----|
|      | M     | Pitch | L                  | D  | T  | t  | E  | V    | S   | e    | R             | D <sub>1</sub> | B   | T <sub>i</sub> | A  | F  | F <sub>1</sub> | P    | d   | d <sub>1</sub> | h <sub>1</sub> | L <sub>1</sub> |    |
| GPJT | 3     | 0.5   | 4                  | 4  | 4  | 3  | 8  | 6    | 6   | 6.9  | 1.0           | 4.5            | 9   | 8              | 30 | 10 | 4              | 20   | 4.5 | 8.0            | 4.4            | 13             |    |
|      | 4     | 0.7   |                    | 6  | 5  |    | 11 | 9    | 11  | 9    |               | 9.2            | 6.5 |                | 12 | 34 | 13             | 5    |     |                |                |                | 24 |
|      | 5     | 0.8   |                    | 7  | 6  |    | 13 | 11   | 8   | 9.2  |               | 8              | 8   |                | 14 | 36 | 15             | 6    |     |                |                |                | 26 |
|      | 6     | 1.0   | 6                  | 10 | 8  | 4  | 19 | 17   | 10  | 11.5 | 1.5           | 11             | 19  | 11             | 44 | 20 | 8              | 32   | 5.5 | 9.5            | 5.4            | 19             |    |
|      | 8     | 1.25  |                    | 13 | 9  |    | 20 | 18   | 14  | 16.2 |               | 11             | 19  | 11             | 44 | 20 | 8              | 32   |     |                |                |                |    |
| 10   | 1.5   | 8     | 13                 | 9  | 24 | 21 | 17 | 19.6 | 2.0 | 14   | 23            | 13             | 52  | 24             | 10 | 38 | 6.6            | 11.0 | 6.5 | 22             |                |                |    |