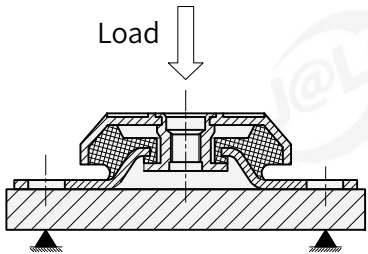
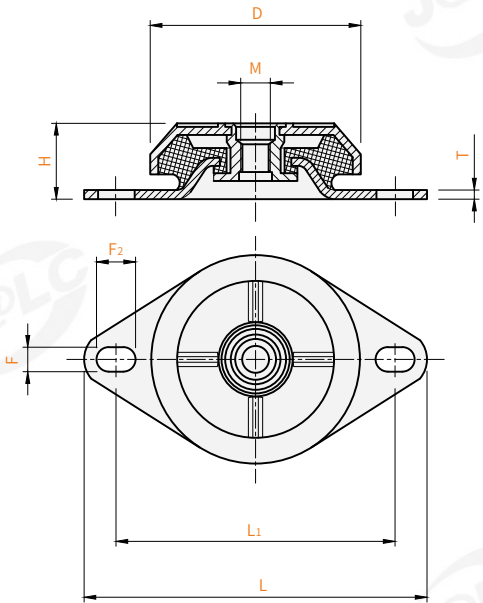


H GY A - A40 - 6230
 Major category Series Specification
 Order guide Category 1 Rubber hardness 2 Specification
 Please refer to the series code to select the type and parameters for ordering.

Product code	Rubber hardness 1	Rubber body material	Mounting type	Surface treatment	Metal material
HGYA-A40	Shore A40	Natural rubber	Internal thread fixing plate	Galvanized	S45C
HGYA-A60	Shore A60				

This type of shock absorber is particularly suitable for generators with an operating frequency of approximately 25 Hz (1500 rpm) and ensures high insulation of the engine and other systems. Axial stresses are fully absorbed and lateral restraints ensure good stability. The mounts are designed with safety protection features, making them the ideal solution for applications where safety is of paramount importance.



Acoustic insulation and Shockproof

Code	Specification 2	D	H	M	F	F2	L1	L	T	Average load (kg/mm)		Max. load (kg)		Max. compression (mm)	
										HGYA-A40	HGYA-A60	HGYA-A40	HGYA-A60	HGYA-A40	HGYA-A60
HGYA-A40 HGYA-A60	6230	62	30	M8			89	110	2.5	70	120	140	240	2.0	2.0
	7830	78	30	M10	9	12	110	135	2.5	47	116	108	267	2.3	2.3
	8330	83	30	M10			110	135	2.5	65	98	130	196	2.0	2.0
	9235	92	35	M12	10	15	123.5	150	3	50	90	175	315	3.5	3.5
	10638	106	38	M16	13	19	143	175	4	70	150	252	450	3.6	3.0
	12543	125	43	M16	14.5	20	156	190	4	88	185	352	740	4.0	4.0
	15050	150	50	M20	14.5	18	182	218	5	120	220	840	1540	7.0	7.0