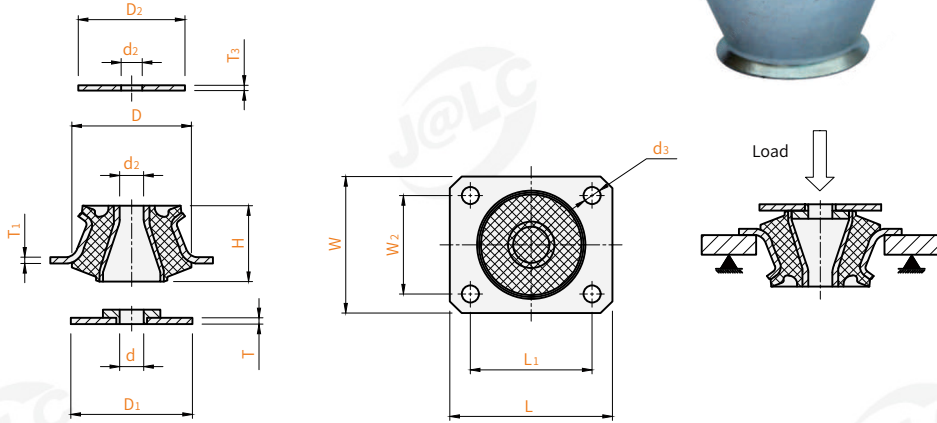
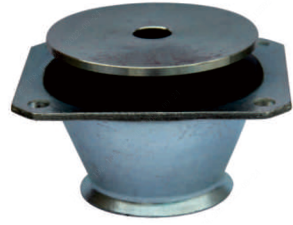
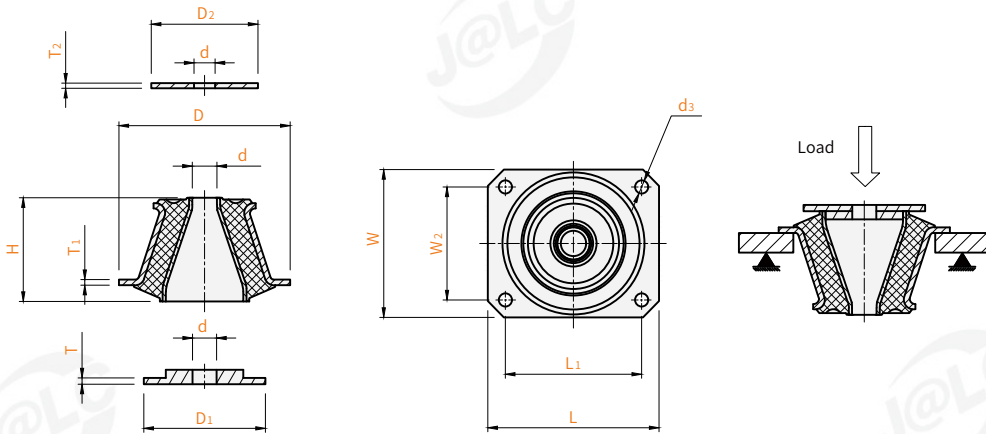

**H** Major category | **GY** Series | **D** - **A45** - **7850** Specification  
 Order guide (Category) | 1 Rubber hardness | 2 Specification  
 Please refer to the series code to select the type and parameters for ordering.

Product code	Rubber hardness ①	Load	Rubber body material	Surface treatment	Metal material
HGYD-A45	Shore A45	Super heavy duty	Natural rubber	Galvanized	S45C
HGYD-A60	Shore A60				
HGYD-A70	Shore A70				



Code	Specification ②	D	H	L1	W2	L	W	d2	T1	d3	D1	D2	T	d	T3
HGYD-A45 HGYD-A60 HGYD-A70	7850	78	50	80	65	107	90	16.5	4	11	80	65	4	16	4
	9373	93	73	90	74	100	120	16	4	11	80	70	5	16	4

Code	Specification ②	Average load			Max. load		
		HGYD-A45	HGYD-A60	HGYD-A70	HGYD-A45	HGYD-A60	HGYD-A70
HGYD-A45 HGYD-A60 HGYD-A70	7850	32	60	98	160	350	488
	9373	75	140	235	450	840	1410



Code	Specification ②	D	H	L1	W2	d	d3	T1	L	W	D1	D2	T	T2
HGYD-A45 HGYD-A60 HGYD-A70	10985	109	85	112	92	20	11	4.5	140	120	110	80	5	5

Code	Specification ②	Average load (kg/mm)			Max. load (kg)			Max. compression (mm)		
		HGYD-A45	HGYD-A60	HGYD-A70	HGYD-A45	HGYD-A60	HGYD-A70	HGYD-A45	HGYD-A60	HGYD-A70
HGYD-A45 HGYD-A60 HGYD-A70	10985	115	250	370	460	1125	1850	4	4.5	5

Acoustic Insulation and Shockproof