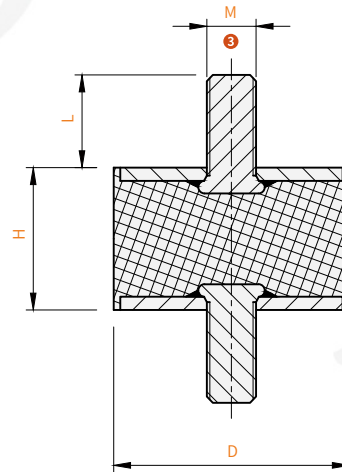


H GY E - A60 - 1008 - A60
 Major category Series Specification Rubber hardness Rubber hardness
 Order guide Category 1 Rubber hardness 2 Specification 3 Rubber hardness
 Please refer to the series code to select the type and parameters for ordering.

Product code	Rubber hardness 1	Mounting type	Rubber body material	Surface treatment	Metal material
HGYE-A60	Shore A60	Two ends external thread	Natural rubber	Galvanized	S45C

Suitable for various applications, especially elastic suspension and vibration standard-type shock pads are commonly used for fixing or elastic fastening equipment. Isolation of machines and machinery, small motors, pumps, fans, dryers, compressors, washing machines, electric motors, measuring devices, etc.. Simple installation, complete specifications, from 8 150 mm outside diameter size can meet all kinds of needs.



Code	Specifi- cation 2	M 3	D	H	L	Average load (kg/mm)	Max. Compression (mm)	
HGYE-A60	1008		10	8		7.2	1.6	
	1510	4	15	10	10	14.7	1.8	
	1615		16	15		12.2	3.0	
	2008			8		35.0	1.6	
	2015			15		14.2	3.0	
	2020		20			8.1	4.0	
	2025			25		5.5	5.0	
	2030	6		30		18	3.7	6.0
	2510			10			53.3	2.0
	2515			15			28.3	3.0
	2520				20		18.1	
	2520	8		20			18.1	4.0
	2525	6	25	25	18		11.0	
	2525	8		20			11.0	5.0
	2530	6		30	18		8.1	
	2530						8.1	6.0
	2540			40			5.3	
	3015	8		15	20		37.3	3.0
	3020			20			23.8	4.0
	3025			25			11.2	5.0
	3030	6		30	14		10.8	6.0
	3030					20	10.8	
	3040	8		40			7.6	8.0
	4020			20	23		48.1	4.0
	4020	10				25	48.1	
	4025			25			33.8	5.0
	4025	12		28			33.8	5.0
	4030	8		30	23		23.8	6.0
	4030	10	40	25			23.8	
	4035	8		35	23		18.1	7.0
	4035	10		25			18.1	
	4040	8		40	23		15.0	8.0
	4040			40			15.0	8.0
	4045			45			12.7	9.0
	5020			20			106.0	4.0
	5025			25			73.5	5.0
	5030			30			50.0	6.0
	5035	10	50	35	25		36.7	7.0
	5040			40			26.0	8.0
	5045			45			20.5	9.0
	5050			50			16.9	8.0
	6025			25			113.5	5.0
	6030		60	30			80.0	6.0

Code	Specifi- cation 2	M 3	D	H	L	Average load (kg/mm)	Max. Compression (mm)
HGYE-A60	6030	12		30	37	80.0	6.0
	6040	10		40	25	52.3	8.0
	6040	12	60	45	37	52.3	
	6045	10		45	25	41.5	9.0
	6045	12		35		41.5	
	6050			50		33.1	10.0
	6535	10		50		80.0	8.0
	6545		65	45	37	46.3	9.0
	6550	12		50		35.1	10.0
	7025		70	25		221.1	5.0
	7030	10		30	25	132.1	6.0
	7030	12	70	30	37	132.1	6.0
	7035	10		35	25	102.8	7.0
	7035	12			37	102.8	
	7040	10		40	25	75.9	8.0
	7040	12		37		75.9	
	7045	10	70	45	25	59.5	9.0
	7045	12		37		59.5	
	7050	10		50	25	48.0	10.0
	7050	12		37		48.0	10.0
	7070	10		70	25	31.3	14.0
	7070					31.3	
	7540	12	75	40	37	82.4	8.0
	7550			50		60.9	10.0
	7555			55		48.0	11.0
8030			30		213.3	6.0	
8040	14	80	40	35	112.1	8.0	
8050			50		75.0	10.0	
8060			60		50.0	12.0	
10030			30		400.0	6.0	
10040			40		209.4	8.0	
10050			50		125.0	10.0	
10055	16	100	55	44	106.4	11.0	
10060			60		90.4	12.0	
10075			75		56.7	15.0	
15075		150			178.5	15.0	

Acoustic Insulation and Shockproof